

# Ultrasound Diagnostic Scanner

## Noblus

### PARTS LIST

△1	Parts addition and change
△2	Parts addition
△3	Add part "1-No.42 CPU SHIELD PANEL"
△4	Parts change(Step1.3)
△5	Parts change(Step2.0)
△6	Parts addition and change
△7	Parts addition and change(Step3.0)
△8	Parts addition and change(Step3.1)
△9	Add part "16. ELASTO COUPLER"
△10	Parts addition and change
△11	Parts addition and change(Step4.0)

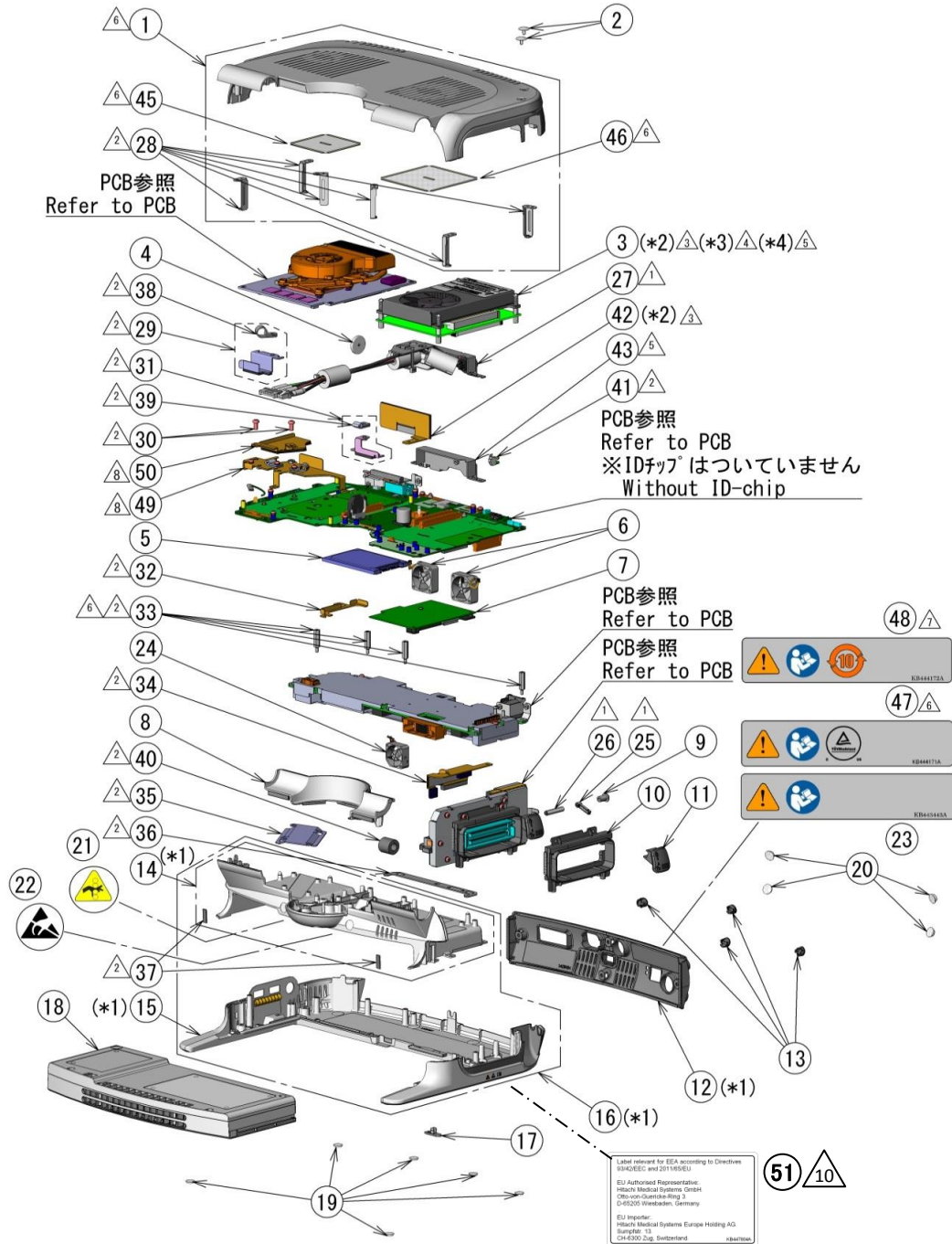
 **Hitachi Medical Corporation**

Tokyo, Japan

**CONFIDENTIALITY:** This material (including all drawings) contains proprietary information of the Hitachi Medical Corporation and shall not be disclosed to any third party or reproduced without the prior written permission of the Hitachi Medical Corporation.  
Copyright © Hitachi Medical Corporation. 2012-2015. All rights reserved.

この資料(添付図面を含みます)は(株)日立メディコにおいて著作権および所有権を有するもので機密扱いになっております。したがって当社の許可無く複製すること、または、第三者に公開することのないようお願い致します。

# 1. BASE UNIT



## 注記

(\*1) ⑫、⑭、⑮、⑯にラベル類は貼られていません。

△③ (\*2) 装置レビジョンが「1A」または「1B」の装置で、No.3.CPU基板を交換する場合は、No.42も一緒に手配して下さい。  
なお、No.42はノイズ対策部品ですので必ず手配して下さい。  
取り付け後には、レビジョン銘板の「1c」を塗り潰して下さい。

△④ (\*3) 装置レビジョンが1E以前の装置で、No.3 CPU基板を交換する場合は、5-No.2 “7359654B BE/NOB”も一緒に手配して下さい。CPU基板のみを交換すると不具合が発生する可能性がありますので必ず手配して下さい。  
取り付け後、レビジョン銘板の「1f」を塗りつぶして下さい。

△⑤ (\*4) No.3 CPU基板交換の際は、No.44“7362494G D CPU FW UPDATE DISK/NOB”も一緒に手配し、  
技術指導書(据付編) 5.4 CPU 基板ファームウェア書き換え手順に従いファームウェアの書き換えを実施して下さい。

## Caution

(\*1) ⑫、⑭、⑮ and ⑯ have no label.

△③ (\*2) When you exchange No.3 CPU/NOB, if the revision of the main unit is “1A” or “1B”, order No.42 together.  
In addition, since No.42 is noise suppression part, be sure to place an order for it.  
After installing No.42, paint over “1c” on the revision label.

△④ (\*3) When you exchange No.3 CPU/NOB, if the revision of the main unit is before “1E”,  
order 5-No.2 “7359654B BE/NOB” together.  
In addition, if only No.3 is exchanged, since problem may occur, be sure to place an order for it.  
After installing 5-No.2, paint over “1f” on the revision label.

△⑤ (\*4) When you exchange No.3 CPU/NOB, order No.44“7362494G D CPU FW UPDATE DISK/NOB” together,  
and execute [5.4 Rewriting of the CPU board firmware] in [Model: Noblus TECHNICAL GUIDE (Installation)(L2E-EA0450)].

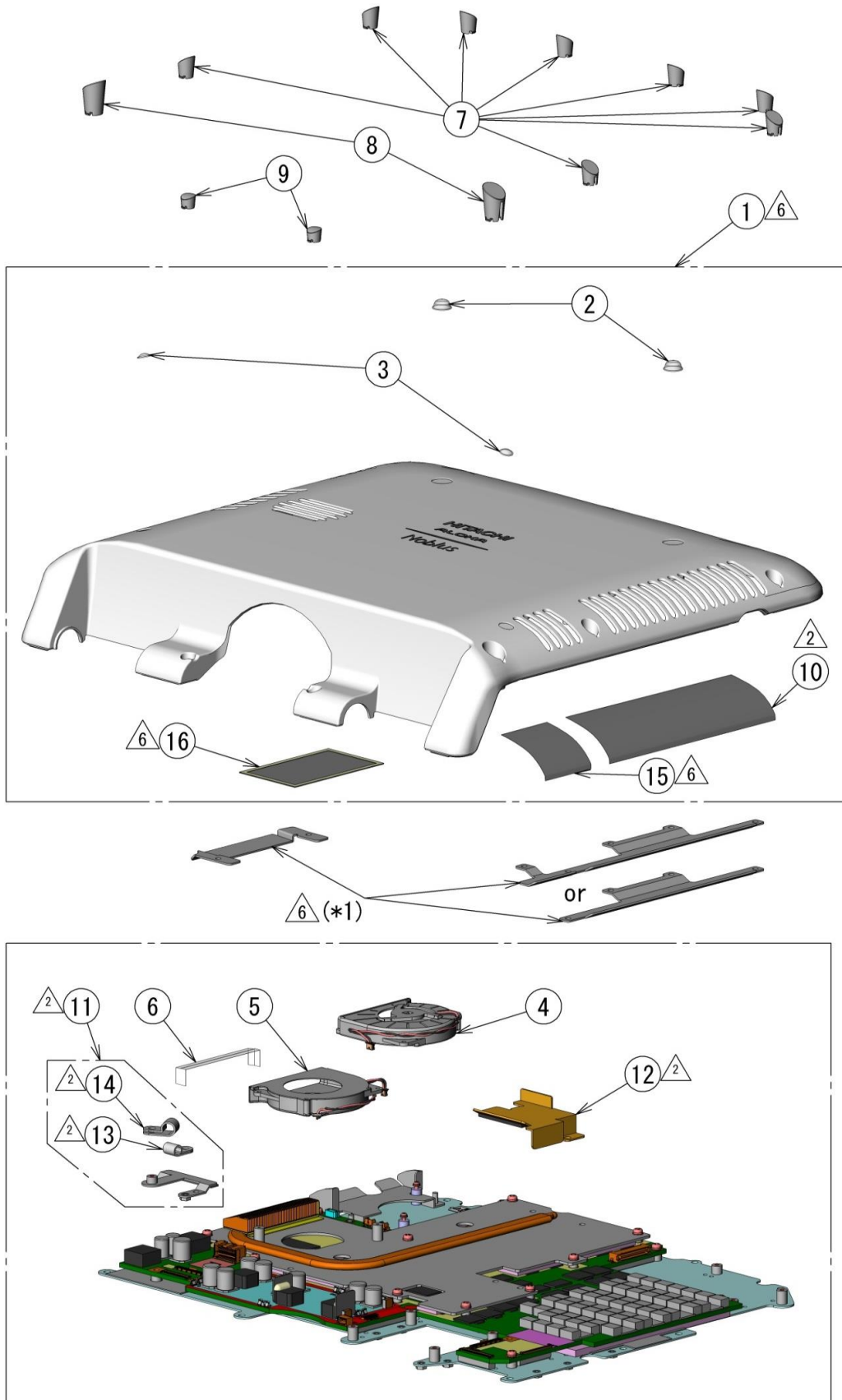
1. BASE UNIT

KEY No.	PARTS No.	PART NAME		QTY	REMARKS	
△6	1	7359667A 7359666A	TOP COVER SET B/NOB TOP COVER SET/NOB		1	
	2	L987A027	COVER PLUG		2	
△3 △4 △5	3	7444152A	CPU/NOB		1	(*2)(*3)(*4)
	4	K641A005	PCMB BATTERY		1	
	5	7444144A	SSD-A		1	
	6	7443987A	BASE-R FAN/NOB		2	
△1	7	7444174A UOG178XX	CAPTURE BRD/DCP2 EZU-DCP2		1	
	8	7359348A	BASE HOLDER/NOB		1	
	9	7358460A	LEVER BUSH/NOB		1	
	10	7443990A	PRB SOCKET COV/NOB		1	
	11	7358459A	PRB LEVER/NOB		1	
	12	7359349A	REAR COVER/NOB		1	(*1)
	13	7358467A	BASE SCREW CAP		4	
	14	7359346A	BASE FRONT/NOB		1	(*1)
	15	7359347A	BASE UNDER/NOB		1	(*1)
	16	7359345A	BASE FRAME/NOB		1	(*1)
	17	7358461A	BATTERY LEBER/NOB		1	
△1	18	7444190A UOG202XX	BATTERY/BAT1 EZU-BAT1		1	
	19	F970A190	RUBBER SJ-1020C		6	
	20	F970A189	RUBBER SJ-5303		4	
	21	7443422A	PINCH LABEL		1	
	22	7443714A	ESD LABEL		1	
	23	7443443A	CAUTION LABEL/NOB		1	
	24	7444790A	BASE-F FAN/NOB		1	
△1	25	J833B349	LEVER,QLC		1	
△1	26	J833B350	BUSHING,QLC		1	
△1	27	7359673A	BIO PANEL UNIT/EK30		1	EZU-EK30
△2	28	7443972A	SPEACER PLATE		6	
△2	29	7444156A	BE CN PLATE		1	
△2	30	M5490408	RENY SCREW M4X8		2	
△2	31	7444155A	LCD CN PLATE		1	
△2	32	7443978A	SSD BRACKET		1	
△6 △2	33	L977A203 L977A176	SPACER BSE-319N SPACER BSB-319E		4	
△2	34	7444160A	PRB SIELD PLATE		1	

1. BASE UNIT

	KEY No.	PARTS No.	PART NAME		QTY	REMARKS
△ <sub>2</sub>	35	7359327A	DC CABLE PLATE		1	
△ <sub>2</sub>	36	7443969A	BATTERY HOOK		1	
△ <sub>2</sub>	37	7444456A	BATTERY SPONGE		2	
△ <sub>2</sub>	38	J839A235	CLAMP EMT-6N		1	
△ <sub>2</sub>	39	J839A105	CLAMP FGC-3		1	
△ <sub>2</sub>	40	J881A171	FERRITE CORE GTR-16-8-16		1	
△ <sub>2</sub>	41	J853A040	LIGHT PIPE		1	
△ <sub>3</sub>	42	7445644A	CPU SHIELD PANEL		1	(*2)
△ <sub>5</sub>	43	7359331A	ECG BLIND PLATE/NOB		1	
△ <sub>5</sub>	44	7362494D 7362494C	CPU FW UPDATE DISK/NOB		1	(*4)
△ <sub>6</sub>	45	7446865A	MESH L		1	
△ <sub>6</sub>	46	7446866A	MESH R		1	
△ <sub>6</sub>	47	7444171A	CAUTION LABEL / NOB-U		1	USA
△ <sub>7</sub>	48	7444172A	CAUTION LABEL / NOB-C		1	CHINA
△ <sub>8</sub>	49	7447972A	BE CABLE PLATE		1	
△ <sub>8</sub>	50	7447974A	CELL SHEET PLATE		1	
△ <sub>10</sub>	51	7447804A	ROHS LABEL		1	

## 2. FRONT UNDER



注記  
 ⚠️ (\*1) ①を交換の際は、交換前の部品から板金をはずし、①に取り付けてください。

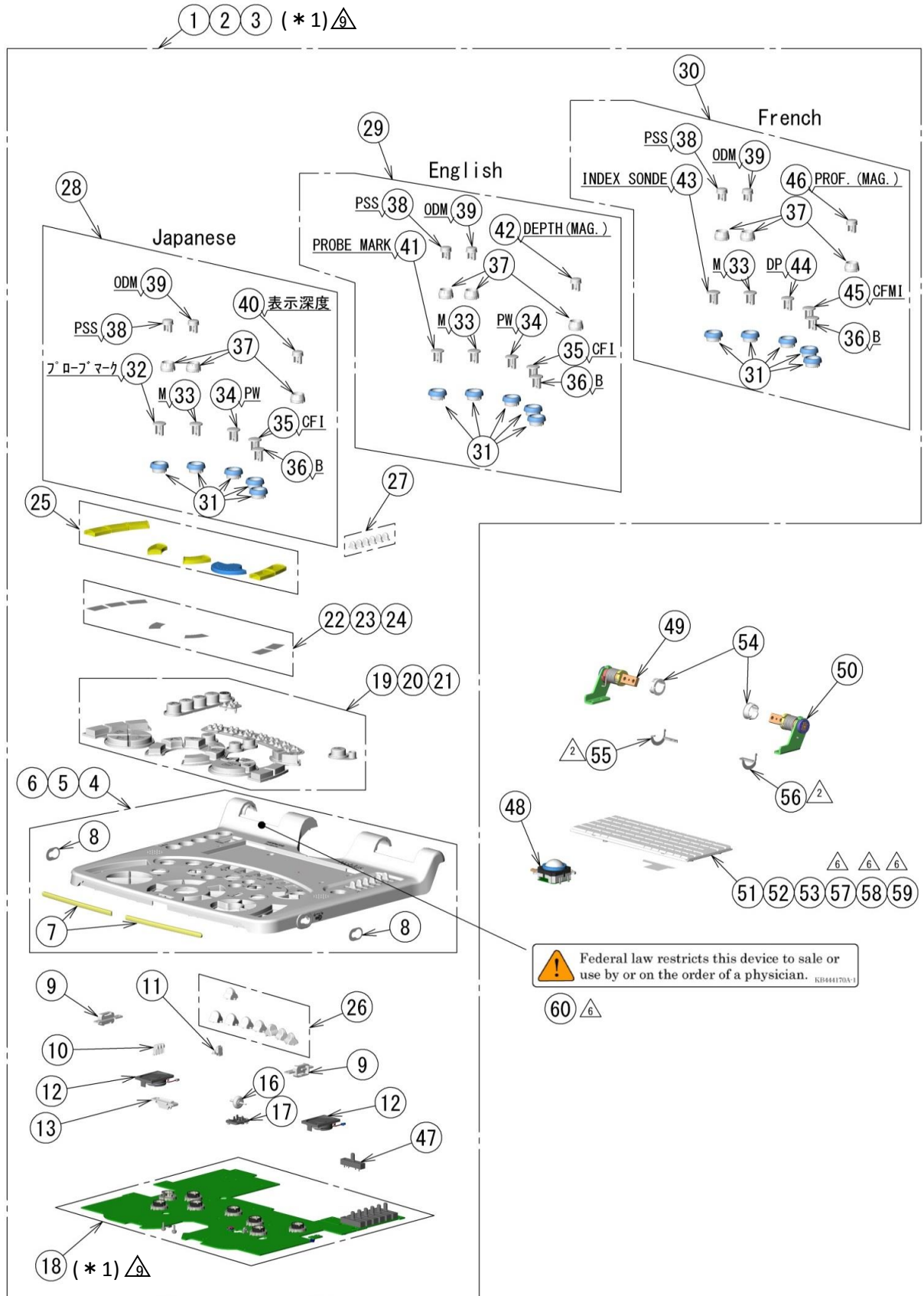
Caution  
 ⚠️ (\*1) When you exchange "①", remove the sheet metal parts from the old one, and attach them to the new one.

PCB参照  
 Refer to PCB

2. FRONT UNDER

KEY No.	PARTS No.	PART NAME		QTY	REMARKS
△ <sub>6</sub> 1	7358731A 7359344A	KB UNDER B/NOB KB UNDER/NOB		1	
2	F970A189	RUBBER SJ-5303		2	
3	F9701405	RUBBER SJ-5302		2	
4	7443985A	CN39 FAN/NOB		1	
5	7443986A	CN44 FAN/NOB		1	
6	7444140A	ALUMI FOIL TAPE		1	
7	7358515A	KB SCREW CAP-A		8	
8	7358516A	KB SCREW CAP-B		2	
9	7358478A	KB SCREW CAP-C		2	
△ <sub>2</sub> 10	7444003A	MESH A		1	
△ <sub>2</sub> 11	7444165A	FE CN PLATE L		1	
△ <sub>2</sub> 12	7444166A	FE CN PLATE R		1	
△ <sub>2</sub> 13	J839A111	CLAMP EMT-3N		1	
△ <sub>2</sub> 14	J839A112	CLAMP EMT-4N		1	
△ <sub>2</sub> 15	7446863A	MESH C		1	
△ <sub>2</sub> 16	7446864A	MESH D		1	

### 3. KEYBOARD



注記  
 ⚠ (\*1) ①②③⑩を交換の際は、最新の"FLASH DISK/NOB"を一緒に手配してください。

Caution  
 ⚠ (\*1) When you exchange "①②③⑩", Please order the latest version "FLASH DISK/NOB" together.

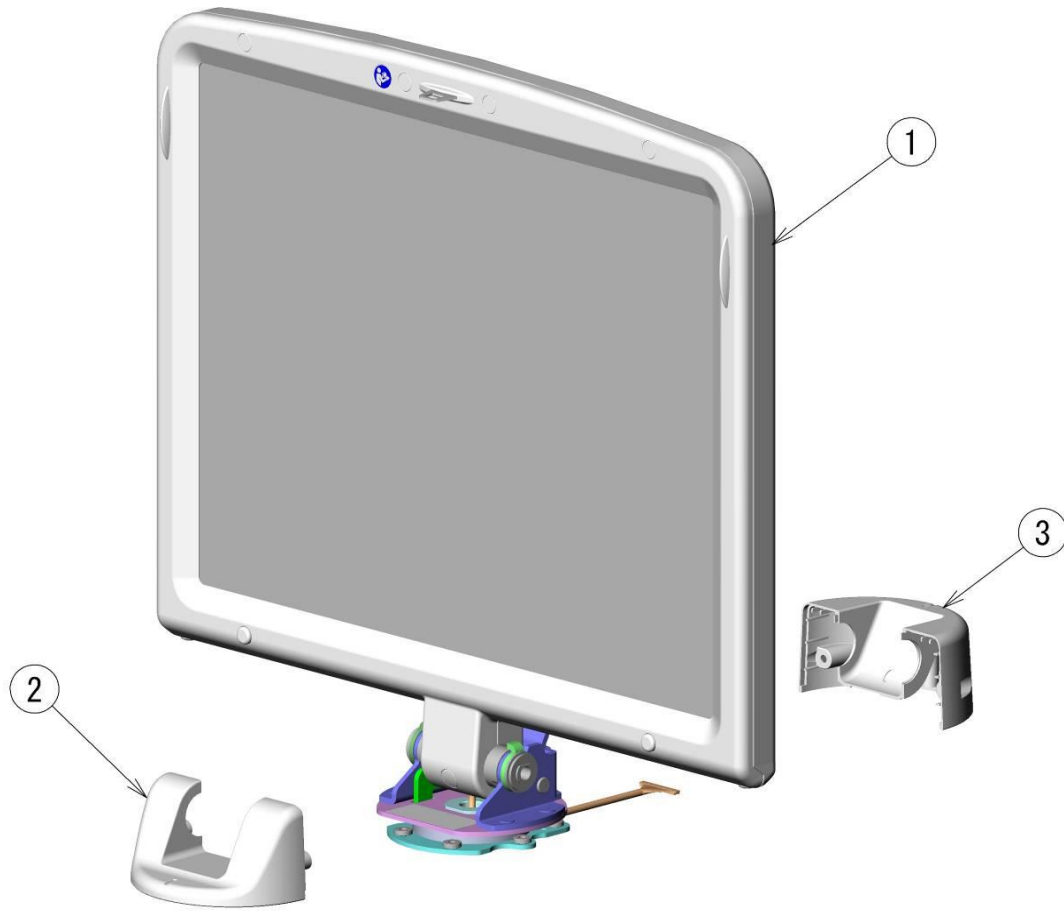
### 3. KEYBOARD

KEY No.	PARTS No.	PART NAME		QTY	REMARKS
1	7357292A	PANEL UNIT-J /NOB		1	JAPANESE without 1AXIS HINGE-LR, TB, ANKB
2	7357292B	PANEL UNIT-E /NOB		1	ENGLISH without 1AXIS HINGE-LR, TB, ANKB
3	7357292C	PANEL UNIT-F /NOB		1	FRENCH without 1AXIS HINGE-LR, TB, ANKB
4	7359016A	PANEL BEZEL-J /NOB		1	JAPANESE
5	7359016B	PANEL BEZEL-E /NOB		1	ENGLISH
6	7359016C	PANEL BEZEL-F /NOB		1	FRENCH
7	7359016D	DECO-PARTS		2	
8	7359016E	HOOK SHEET		2	
9	7359016F	SHOULDER LOCK		2	
10	7359016G	LED LENS2		1	
11	7359016H	LED LENS1		1	
12	7359016J	SPEAKER SET		2	
13	7359016K	LCD LATCH RECEIVER		1	
14	7359016L	LCD LOCK BUTTON		1	
15	7359016M	LCD LOCK SET		1	
16	7359016N	WHEEL SET		1	with SHAFT
17	7359016P	SHAFT SUPPORT		1	
18	7359016Q	PCB SET /NOB		1	
19	7359016R	RUBBER KEY SET-J /NOB		1	JAPANESE
20	7359016S	RUBBER KEY SET-E /NOB		1	ENGLISH
21	7359016T	RUBBER KEY SET-F /NOB		1	FRENCH
22	7359016U	KEY PLATE SET-J /NOB		1	JAPANESE
23	7359016V	KEY PLATE SET-E /NOB		1	ENGLISH
24	7359016W	KEY PLATE SET-F /NOB		1	FRENCH
25	7359016Y	KEY CAP SET /NOB		1	
26	7359017A	PADDLE SET /NOB		1	
27	7359017B	VOL KNOB SET /NOB		1	
28	7359017C	KNOB SET-J /NOB		1	JAPANESE
29	7359017D	KNOB SET-E /NOB		1	ENGLISH
30	7359017E	KNOB SET-F /NOB		1	FRENCH
31	7359017F	KNOB GAIN2 /NOB		5	
32	7359017G	KNOB GAIN1-PM-J /NOB		1	JAPANESE
33	7359017H	KNOB GAIN1-M /NOB		1	
34	7359017J	KNOB GAIN1-PW /NOB		1	

### 3. KEYBOARD

KEY No.	PARTS No.	PART NAME		QTY	REMARKS
35	7359017K	KNOB GAIN1-CFI /NOB		1	
36	7359017L	KNOB GAIN1-B /NOB		1	
37	7359017M	KNOB RE2 /NOB		3	
38	7359017N	KNOB RE1-PSS /NOB		1	
39	7359017P	KNOB RE1-ODM /NOB		1	
40	7359017Q	KNOB RE1-DEPTH-J /NOB		1	JAPANESE
41	7359017R	KNOB GAIN1-PM-E /NOB		1	ENGLISH
42	7359017S	KNOB RE1-DEPTH-E /NOB		1	ENGLISH
43	7359017T	KNOB GAIN1-IS /NOB		1	FRENCH
44	7359017U	KNOB GAIN1-DP /NOB		1	FRENCH
45	7359017V	KNOB GAIN1-CFMI /NOB		1	FRENCH
46	7359017W	KNOB RE1-PROF /NOB		1	FRENCH
47	7359017Y	SLIDE VOLUME /NOB		6	
48	7359247A	TRACK BALL		1	
49	7359249A	1AXIS HINGE-L		1	
50	7359249B	1AXIS HINGE-R		1	
51	7359248A	FULL KEY-J/NOB		1	JAPANESE
52	7359248B	FULL KEY-E/NOB		1	ENGLISH
53	7359248C	FULL KEY-F/NOB		1	FRENCH
54	J839A228	CABLE BUSHING		2	
△ <sub>2</sub>	55	7443983A	BUSH L PLATE	1	
△ <sub>2</sub>	56	7443984A	BUSH R PLATE	1	
△ <sub>6</sub>	57	7358686A	FULL KEY-NOR/NOB	—	NORWAY (Lot20)
△ <sub>6</sub>	58	7358686B	FULL KEY-SWE/FIN/NOB	—	SWEDEN/FINLAND (Lot20)
△ <sub>6</sub>	59	7358686C	FULL KEY-DNK/NOB	—	DENMARK (Lot20)
△ <sub>6</sub>	60	7444170A	KB CAUTION LABEL/NOB-U	1	USA

#### 4. LCD UNIT

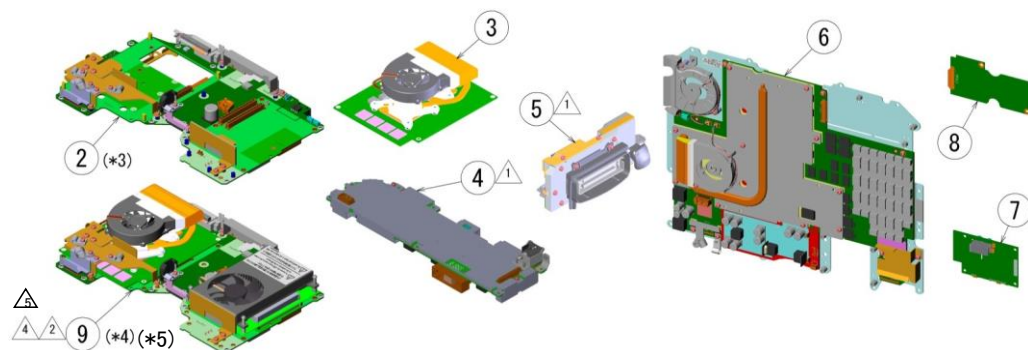


4. LCD UNIT

△

KEY No.	PARTS No.	PART NAME		QTY	REMARKS
1	7359010B 7359010A	LCD/NOB-2 LCD/NOB		1	
2	7234727A	HINGE FRONT COV/NOB		1	
3	7234728A	HINGE REAR COV/NOB		1	

5. PCB



KEY No.	PARTS No.	PART NAME	APPLICABLE Rev. 適用可能Rev.	FLASH DISK necessity (*1) 要否 (*1)	QTY	APPLICABLE S/N (*2) 適用可能 製番 (*2)	REMARKS
△ △ △ △ △	1	7360106J 7360106G 7360106F 7360106E 7360106C 7360106B	-	-	1	-	
	2	7359654B	A/*	✓	1		(*3)
	3	7444433A	A/*	✓	1		
△ △	4	7359653B 7359653A 7514928A	A/*	✓	1		
△	5	7359656A 7514927A	A/*		1		
△	6	7359660B 7359660A	A/*	✓	1		
	7	7514934A	A/*		1		EZU-EK30
△	8	7514929A UOG166XX	A/*		1		EZU-ST10
△ △	9	7359654C 7514926A	A/*	✓	1		(*4)(*5)

(\*1) Please order No.1 "FLASH DISK/NOB" with ordering the PCB which has "✓" in the table. And, use the latest revision.

(\*2) This means S/N when shipped by the factory. It doesn't agree to this table if you change the PCBs after shipping.

(\*3) "CELL/NOB", "CPU/NOB", "SSD-A", "ID-CHIP" and "PCMB BATTERY" are not included in No.2.

(\*4) "SSD-A", "ID-CHIP" and "PCMB BATTERY" are not included in No.9.

△ (\*5) Please order I-No.44 "7362494C CPU FW UPDATE DISK/NOB" together, and execute [5.4 Rewriting of the CPU board firmware] in [Model: Noblus TECHNICAL GUIDE (Installation)(L2E-EA0450)].  
7362494D

(\*1) ✓の場合は、基板手配時にNo.1 "FLASH DISK/NOB" も一緒に手配して下さい。また必ず最新のFLASH DISKを使用して下さい。

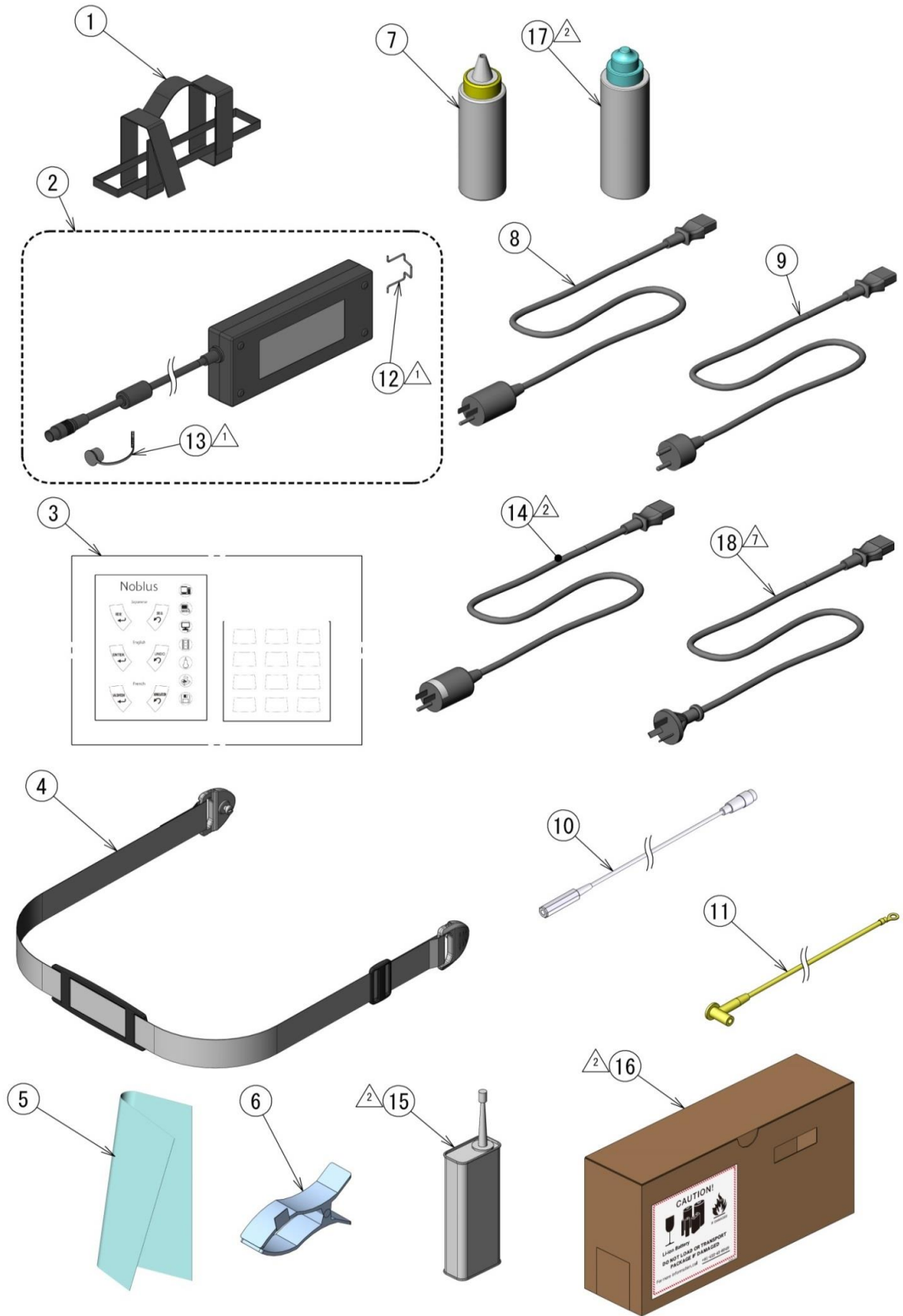
(\*2) 工場出荷時の製番を表します。出荷後にバージョンアップ、基板交換などをした場合はこの表と一致しません。

(\*3) No.2には"CELL/NOB"、"CPU/NOB"、"SSD-A"、"IDチップ"、"ボタン電池"は含まれていません。

(\*4) No.9には"SSD-A"、"IDチップ"、"ボタン電池"は含まれていません。

△ (\*5) I-No.44 "7362494C CPU FW UPDATE DISK/NOB"も一緒に手配し、技術指導書(据付編) 5.4 CPU 基板ファームウェア書き換え手順に従いファームウェアの書き換えを実施して下さい。  
7362494D

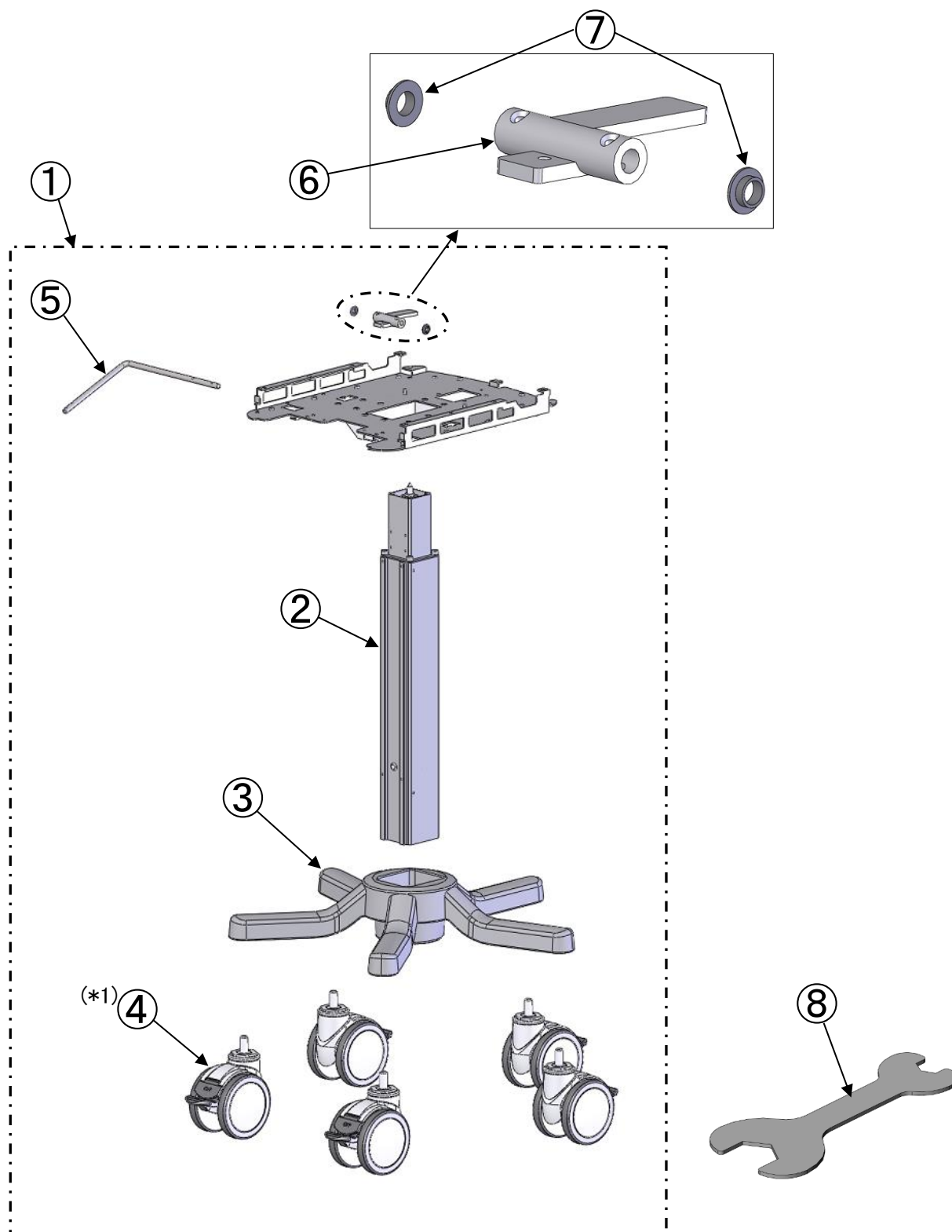
## 6. ACCESSORIES



6. ACCESSORIES

KEY No.	PARTS No.	PART NAME		QTY	REMARKS
1	7359252A	ADAPTER BAND/NOB		1	
2	7444188A	AC ADAPTER/NOB		1	
3	7359640A	KEY PLATE/NOB		1	
4	7359641A	SHOULDER BELT/NOB		1	
5	7444296A	LCD CLOTH		1	
6	J8611101	ECG CLIP		1	
7	S2909001	ULTRASOUND JELLY		1	
8	E910A313	POWER CORD(N)		1	NTSC
9	E910A315	POWER CORD(E)		1	PAL
10	7344669A	DCIN ECG CORD		1	EZU-EK30
11	1477344A	EARTH CORD		1	
△ <sub>1</sub>	12	J839A229	I/O LOCK AT-01-4	1	
△ <sub>1</sub>	13	7444953A	AC ADAPTER CAP	1	
△ <sub>2</sub>	14	E910A314	POWER CORD(U)	1	USA
△ <sub>2</sub>	15	F4900302	THREAD LOCKER	1	
△ <sub>2</sub>	16	7444190B	BATTERY BOX	1	
△ <sub>2</sub>	17	S370A040	ECHO JELLY	1	
△	18	E910A316	POWER CORD(C)	1	CHINA

## 7. EZU-HC1N/E/U/C;UP-DOWN MACHINE



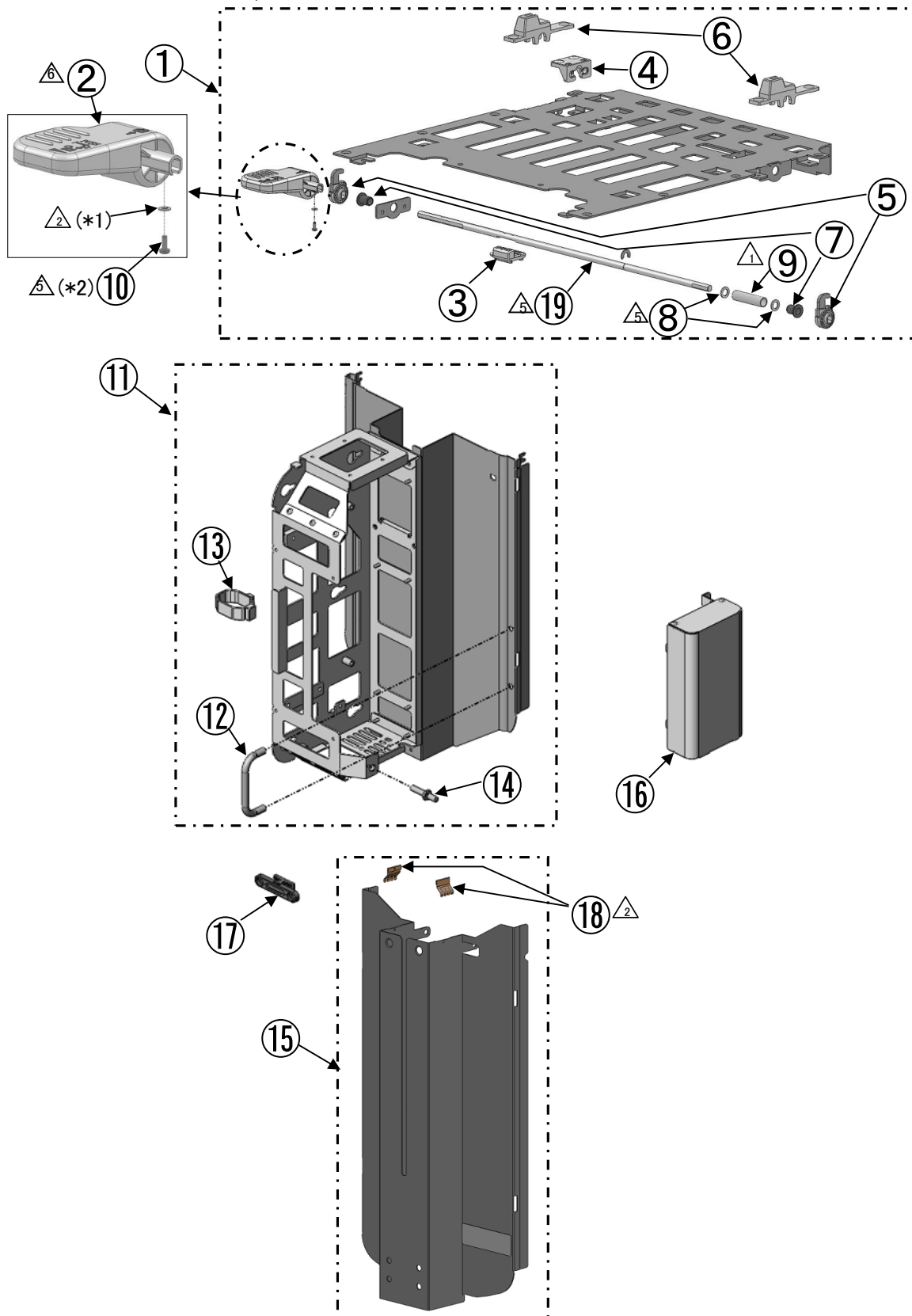
△<sub>2</sub>(\*1) Please order No.8 SPANNER FOR TT100 BT4/W with ordering No.4 CASTER(TT100 BT4/W), because No.8 is needed for attachment and removal. Also order "6. ACCESSORIES No.15 THREAD LOCKER" together, and then apply it to a thread part at the time of attachment.

△<sub>2</sub>(\*1) No.4 CASTER(TT100 BT4/W)の取付け、取外しにはNo.8 SPANA FOR TT100 BT4/W が必要になりますので一緒に手配して下さい。  
 なお、"6. ACCESSORIES No.15 THREAD LOCKER"も一緒に手配し、取付けの祭にネジ部に塗布して下さい。

7. EZU-HC1N/E/U/C;UP-DOWN MACHINE

KEY No.	PARTS No.	PART NAME		QTY	REMARKS
1	7235027A	UP-DOWN UNIT/HC1		1	
2	7359366A	UP-DOWN FRAME/HC1		1	
3	7234719A	CART FOOT/HC1		1	
4	7359251A	CASTER(TT100 BT4/W)		5	
5	7444309A	LEVER SHAFT/HC1		1	
6	7444308A	COUPLING		1	
7	L170A063	BUSH 80F-0803		2	
8	7444809A	SPANNER FOR TT100		1	(*1)

## 8. EZU-HC1N/E/U/C; FRAME

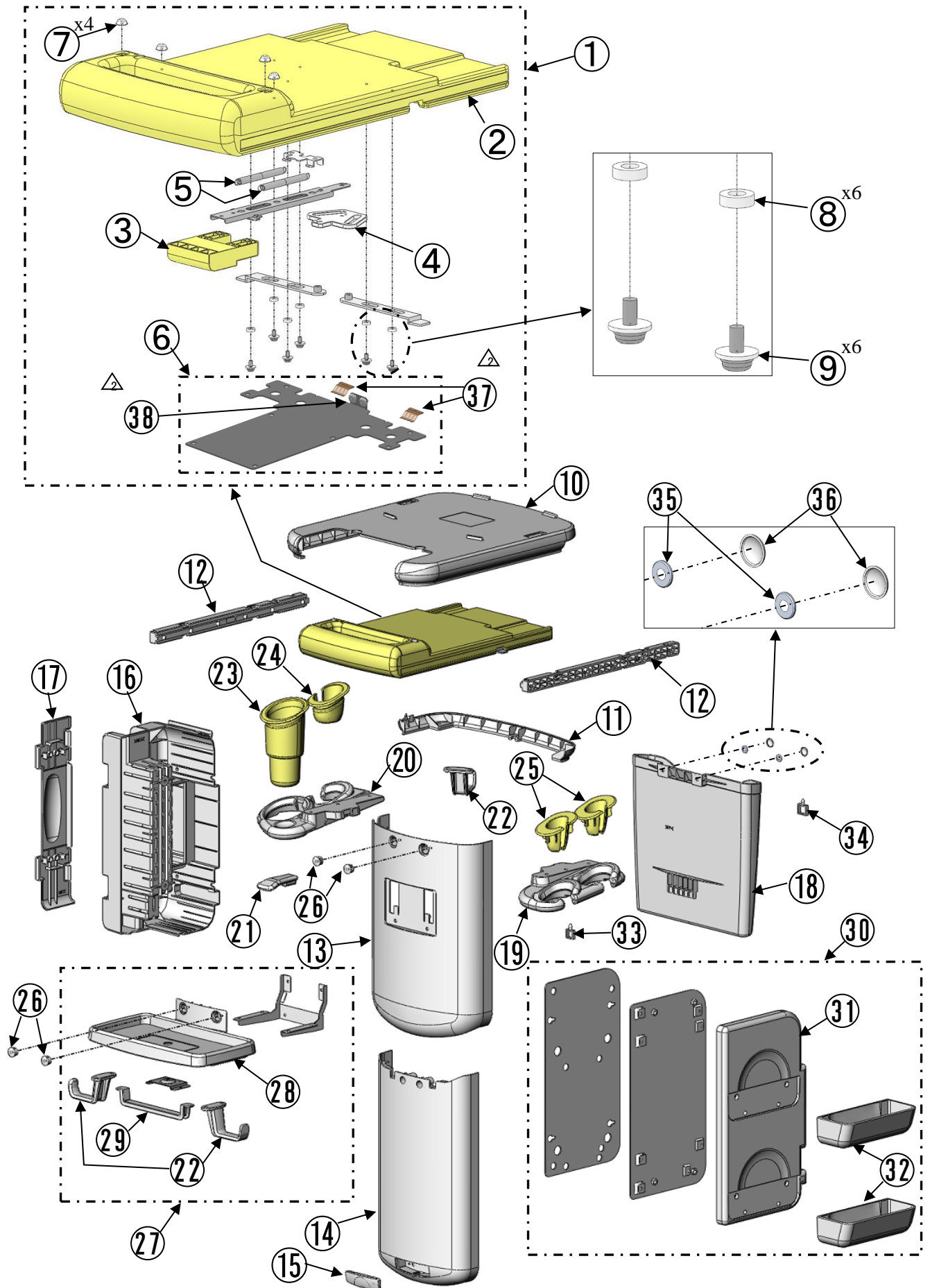


- ⚠ (\*1) No.10を取付けるときは、図示のようにM2.6 ばね座金(金属製)と一緒に取付けて下さい。  
取付け後、6-No.15 THREAD LOCKER (F4900302)をネジ頭に塗布して下さい。
- ⚠ (\*2) #10の樹脂ネジは台車のレビジョンが「A」または、「B」のときのみ使用して下さい。  
「C」以降の場合は金属製のM2.5X6セムスネジを使用して下さい。
- ⚠ (\*1) When you attach No.10, attach M2.6 spring washer(metal) together as shown in the figure.  
After attachment, apply 6-No.15 THREAD LOCKER (F4900302) to the screw head.
- ⚠ (\*2) Only when the revision of the cart is "A" or "B", use #10.  
When the revision is after "C", use a steel sems screw M2.5X6.

8. EZU-HC1N/E/U/C; FRAME

KEY No.	PARTS No.	PART NAME		QTY	REMARKS	
	1	7235029A	LOCK UNIT/HC1		1	
△	2	7362681A 7358484A	LOCK LEVER B/HC1 <del>LOCK LEVER/HC1</del>		1	
	3	7358485A	LOCK BLOCK/HC1		1	
	4	7358486A	LOCK BK GUIDE/HC1		1	
	5	7358487A	LOCK LATCH/HC1		2	
	6	7358488A	LOCK BASE/HC1		2	
	7	L170A066	BUSH JZF6-10		2	
△	8	M8721006 L975A111	M6 WASHER WASHER-CC-0610-10		2	
△	9	L913A134 L913A126	COIL SPRING DC588 <del>COIL SPRING DC553</del>		1	
	10	M780A008	SCREW N-2606		1	
	11	7359644A	FRAME UPPER UNIT/HC1		1	
	12	L931A109	HANDLE THA-239-8		1	
	13	J839A224	CRAMP RWC-30SVON		1	
	14	J836A048	GND TERMINAL		1	
	15	7359643A	FRAME LOWER UNIT/HC1		1	
	16	7359361A	AC SOCKET COVER/HC1		1	
	17	7358483A	COVER GUIDE/HC1		1	
△	18	7444129A	EMI FINGER		2	
△	19	7359354A	LOCK SHAFT/HC1		1	

9. EZU-HC1N/E/U/C; COVER



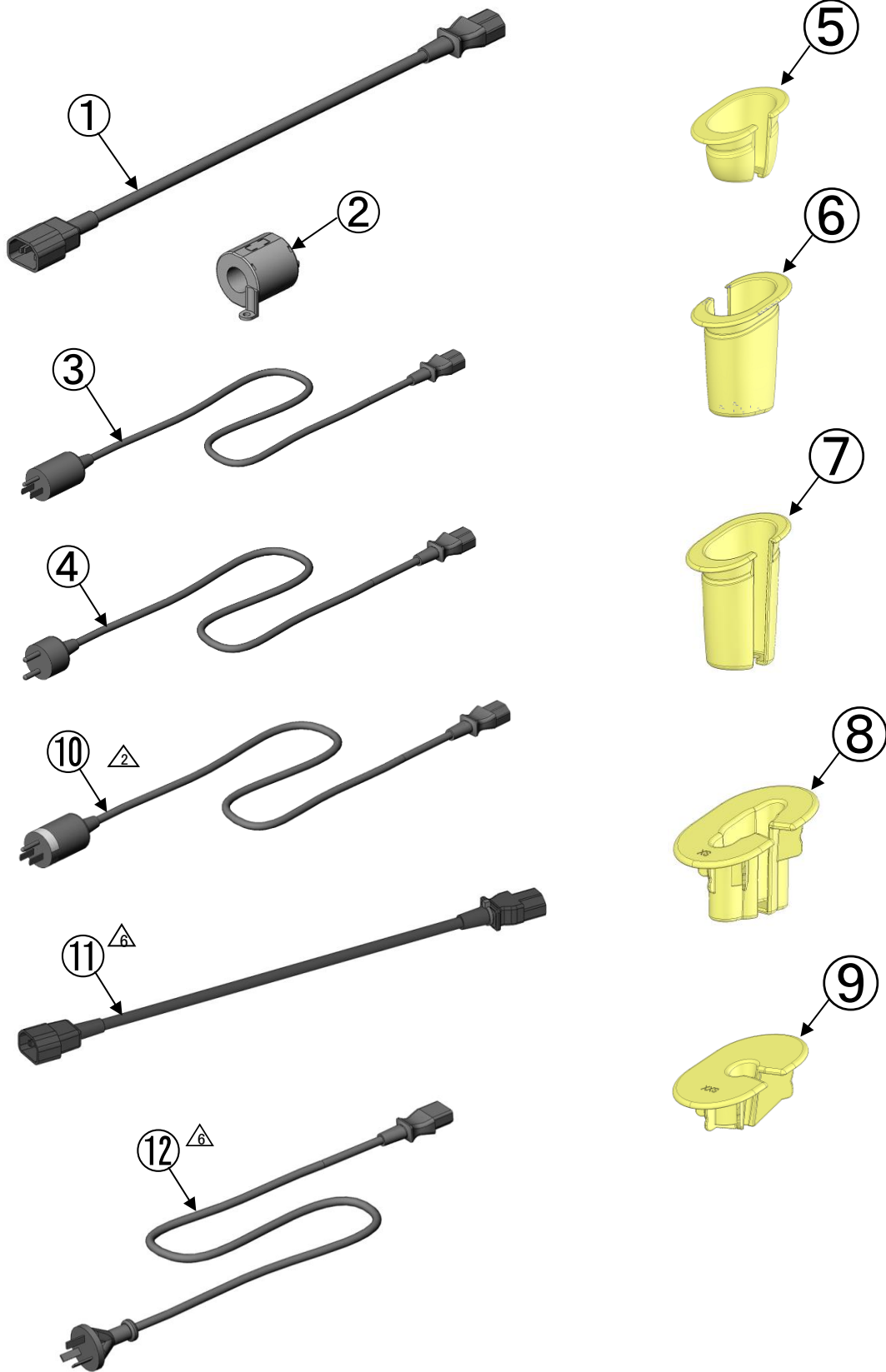
9. EZU-HC1N/E/U/C; COVER

KEY No.	PARTS No.	PART NAME		QTY	REMARKS
1	7235028A	HANDLE UNIT/HC1		1	
2	7234716A	TABLE HANDLE/HC1		1	
3	7358481A	TABLE LEVER/HC1		1	
4	7358482A	ROD CAM/HC1		1	
5	L913A128	COIL SPRING E628		2	
△ <sub>5</sub>	6	7359680A	UNDER UNIT/HC1	1	
△ <sub>5</sub>	7	F970A189	RUBBER SJ-5303	4	
8	L977A187	SPACER CU-402.5		6	
△ <sub>2</sub>	9	M649A003	SCREW F-0408-SNE	6	
10	7359015A	TABLE COVER/HC1		1	
11	7358492A	TABLE REAR COVER/HC1		1	
12	7358491A	TABLE RAIL/HC1		2	
13	7234713A	COVER UPPER/HC1		1	
14	7234714A	COVER LOWER/HC1		1	
15	7358493A	MINI COVER/HC1		1	
16	7234709A	AC RACK COVER/HC1		1	
17	7358489A	ADAPTER COVER/HC1		1	
18	7234710A	KARTE CASE/HC1		1	
19	7234717A	HOLDER MOUNT R/HC1		1	
20	7234718A	HOLDER MOUNT L/HC1		1	
21	7358480A	UP-DOWN LEVER/HC1		1	
22	7344216A	CABLE HOOK		3	
23	7228772A	JELLY HOLDER-P		1	
24	7344220B	PRB HOLDER L-M		1	
25	7344221A	PRB HOLDER R-S		2	
26	7346162A	SCREW CAP		4	
27	7359371A	FRONT TRAY UNIT/HC1		1	
28	7234711A	FRONT TRAY/HC1		1	
29	7358490A	ECG CLIP BAR/HC1		1	
30	7359372A	SIDE RACK UNIT/HC1		1	
31	7234715A	SIDE RACK BASE/HC1		1	
32	7358494A	SIDE RACK CASE/HC1		2	
33	J839A225	CRAMP RLWC-3SV0		1	
34	J839A226	CRAMP RLWC-5SV0		1	

9. EZU-HC1N/E/U/C; COVER

KEY No.	PARTS No.	PART NAME		QTY	REMARKS
35	M879A047	SETUP WASHER		2	
36	M879A048	CONNECTER CAP		2	
△ <sub>2</sub> 37	7444129A	EMI FINGER		2	
△ <sub>2</sub> 38	F990A020	CUSHION RUBBER		2	

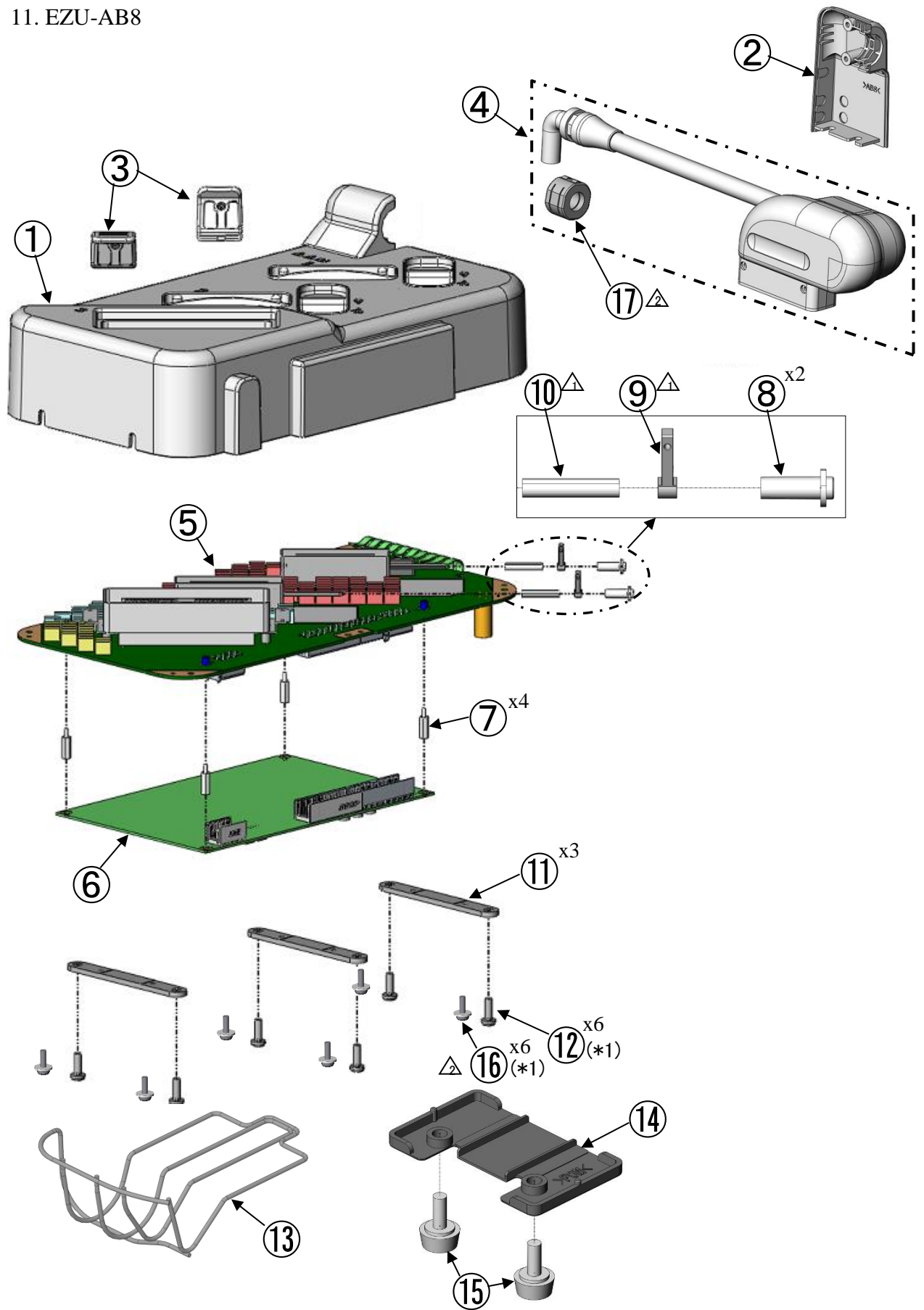
10. EZU-HC1N/E/U/C; OTHER PARTS



10.EZU-HC1N/E/U/C; OTHER PARTS

KEY No.	PARTS No.	PART NAME		QTY	REMARKS
1	7444167A	POWER CORD(MIDDLE)		1	
2	J881A120	LINE FILTER E04SR401938		1	
3	E910A313	POWER CORD(N)		1	NTSC
4	E910A315	POWER CORD(E)		1	PAL
5	7344220A	PRB HOLDER R-M		1	
6	7228773A	PRB HOLDER L-L		1	
7	7228773B	PRB HOLDER R-L		1	
8	7351811A	PRB HOLDER R-XS		1	
9	7351812A	PRB HOLDER R-XXS		1	
△ <sub>2</sub>	10	E910A314	POWER CORD(U)	1	USA
△ <sub>6</sub>	11	7447020A	POWER CORD-C(MIDDLE)	1	CHINA
△ <sub>6</sub>	12	E910A316	POWER CORD(C)	1	CHINA

# 11. EZU-AB8



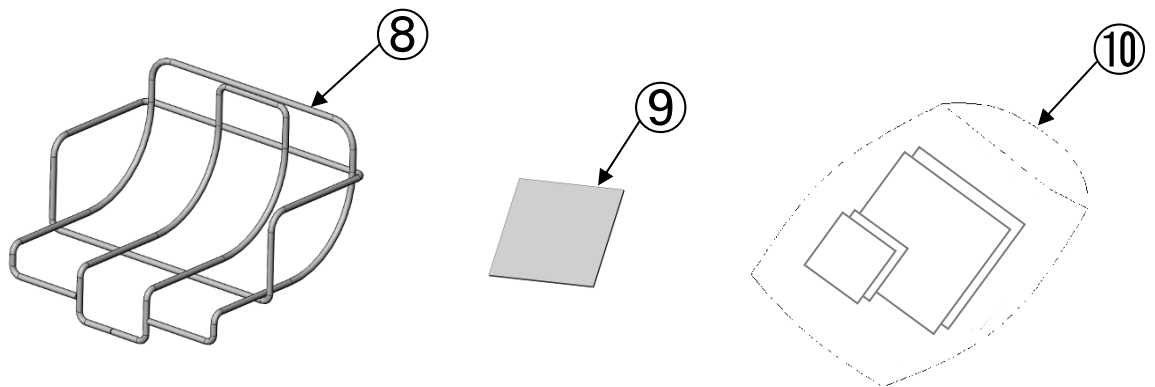
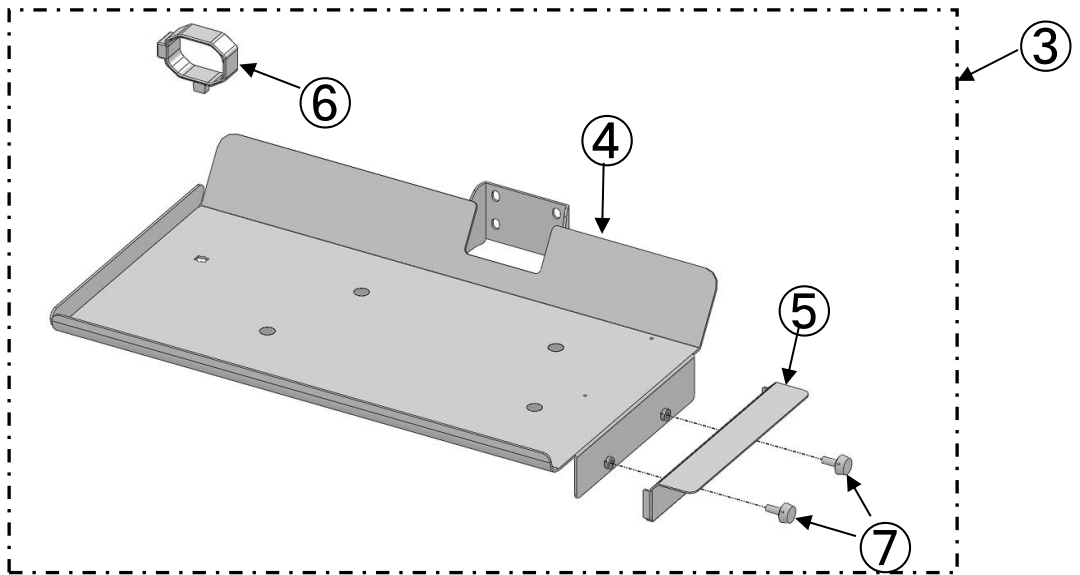
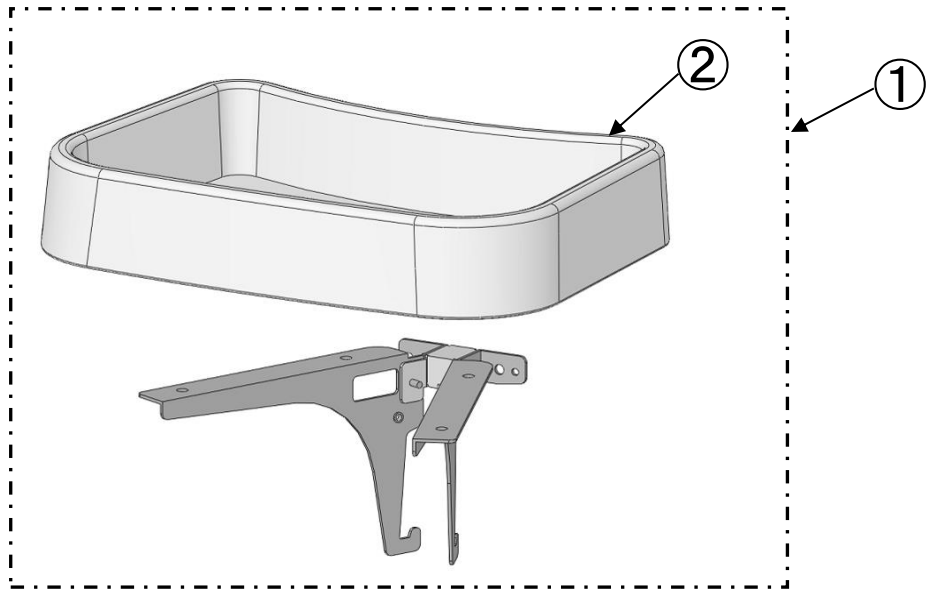
△ (\*1) EZU-AB8のレビジョンが“A”、または“B”の場合はNo.12を手配して下さい。レビジョンが“C”以降の場合はNo.16を手配して下さい。

△ (\*1) When revision of EZU-AB8 is "A" or "B", order No.12. When revision is after "C", order No.16.

11. EZU-AB8

KEY No.	PARTS No.	PART NAME		QTY	REMARKS
1	7234725A	FRONT COVER/AB8		1	
2	7358495A	BUSH COVER/AB8		1	
3	7358496A	PRB LEVER/AB8		2	
4	7120187A	CABLE UNIT/AB8		1	
5	7514930A	PRBEX1/AB8		1	
6	7514931A	PRBEX2 /AB8		1	
7	L977A094	SPACER BSB-315E		4	
8	7358497A	LEVER BUSH/AB8		2	
△ <sub>1</sub>	9	J833B349	LEVER,QLC	2	
△ <sub>1</sub>	10	J833B350	BUSHING,QLC	2	
	11	7444150A	INSULATION SPACER/AB8	3	
	12	M549A046	PC SCREW M6X15	6	
	13	7359364A	CONNECTER TRAY/HC1	1	
	14	7358498A	TRAY STOPPER/HC1	1	
	15	7417225C	UREA SCREW L=10	2	
△ <sub>2</sub>	16	M649A018	M4 SET SCREW	6	
△ <sub>2</sub>	17	J881A143	FERRITE CLAMP	1	

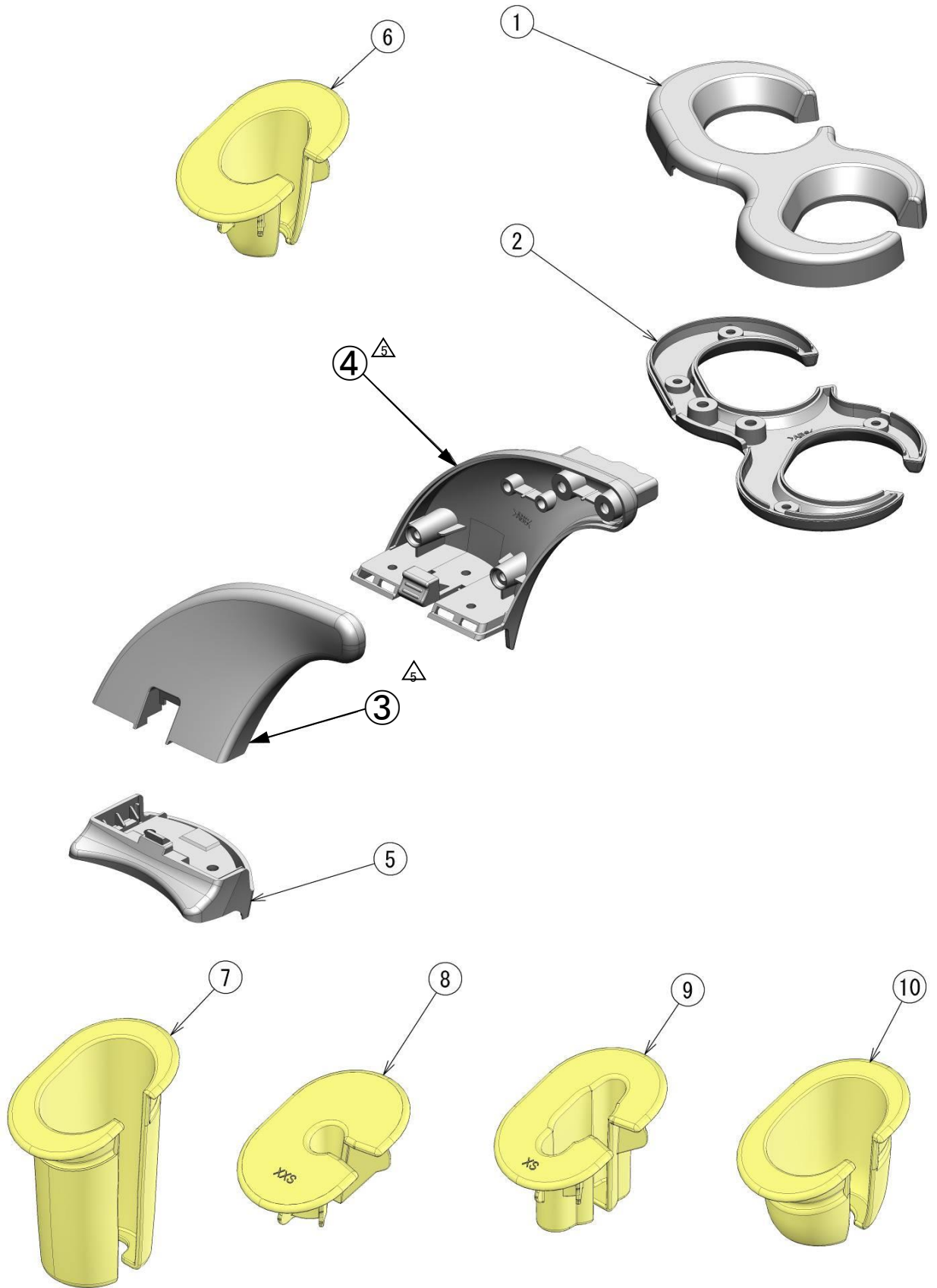
12. EZU-TY4



12. EZU-TY4

KEY No.	PARTS No.	PART NAME		QTY	REMARKS
1	7359373A	FRONT TRAY UNIT/TY4		1	
2	7234726A	FRONT TRAY/TY4		1	
3	7359374A	PRINTER TRAY UNIT/TY4		1	
4	7235025A	PRINTER TRAY/TY4		1	
5	7359363A	TRAY BRACKET/TY4		1	
6	J839A224	CRAMP RWC-30SVON		1	
7	7417225C	UREA SCREW L=10		2	
8	7359365A	PAPER TRAY/TY4		1	
9	7433952A	SKID SHEET		3	
10	7428095A	PRINTER VELCRO SET		1	

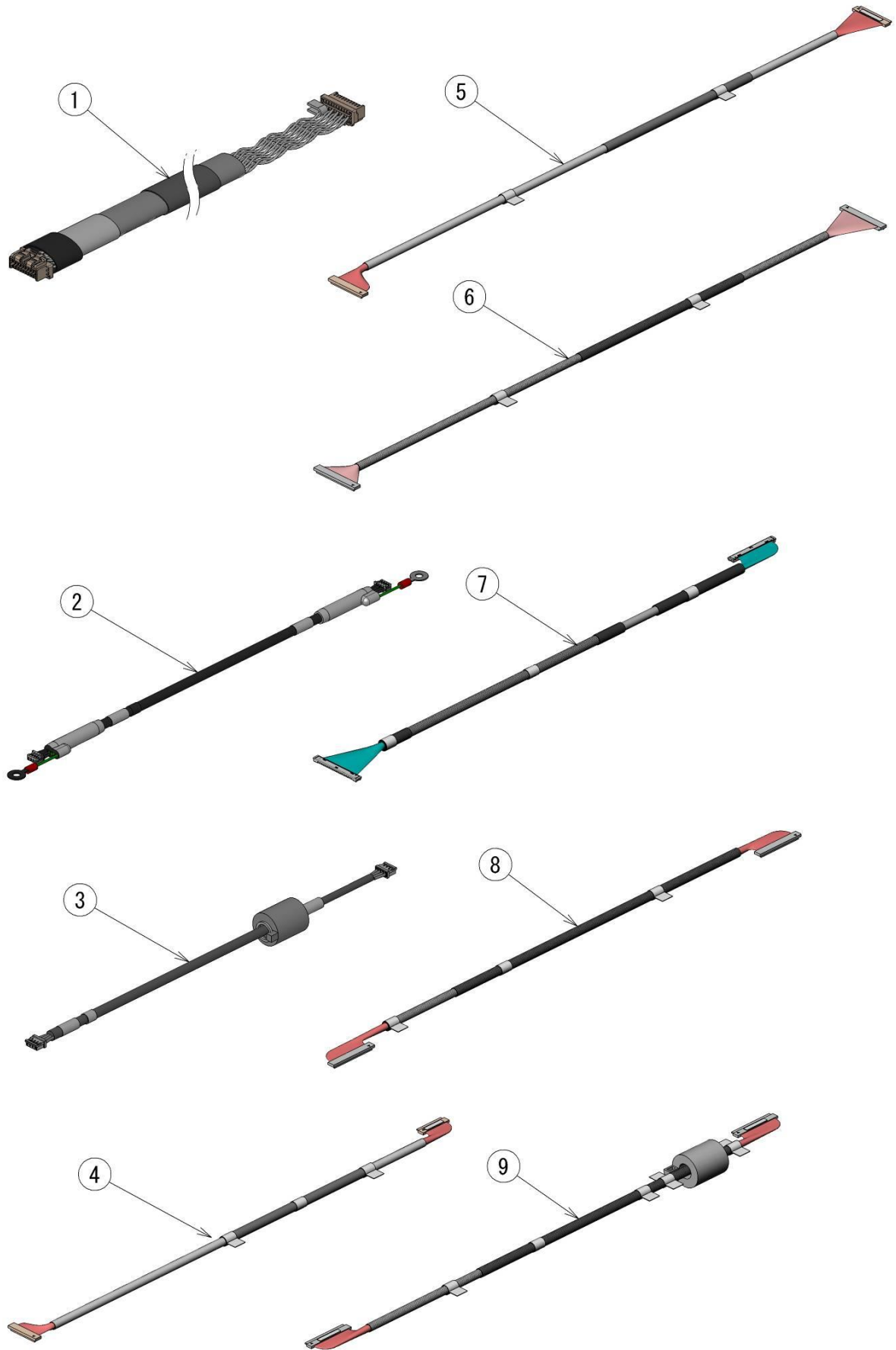
13. EZU-PH1



13. EZU-PH1

KEY No.	PARTS No.	PART NAME		QTY	REMARKS
1	7234720A	MOUNT UPPER/PH1		1	
2	7234721A	MOUNT LOWER/PH1		1	
3	7234722A	ARM FRONT/PH1		1	
4	7234723A	ARM REAR/PH1		1	
5	7234724A	BASE/PH1		1	
6	7344221A	PRB HOLDER R-S		2	
7	7228773B	PRB HOLDER R-L		1	
8	7351812A	PRB HOLDER R-XXS		1	
9	7351811A	PRB HOLDER R-XS		1	
10	7344220A	PRB HOLDER R-M		1	

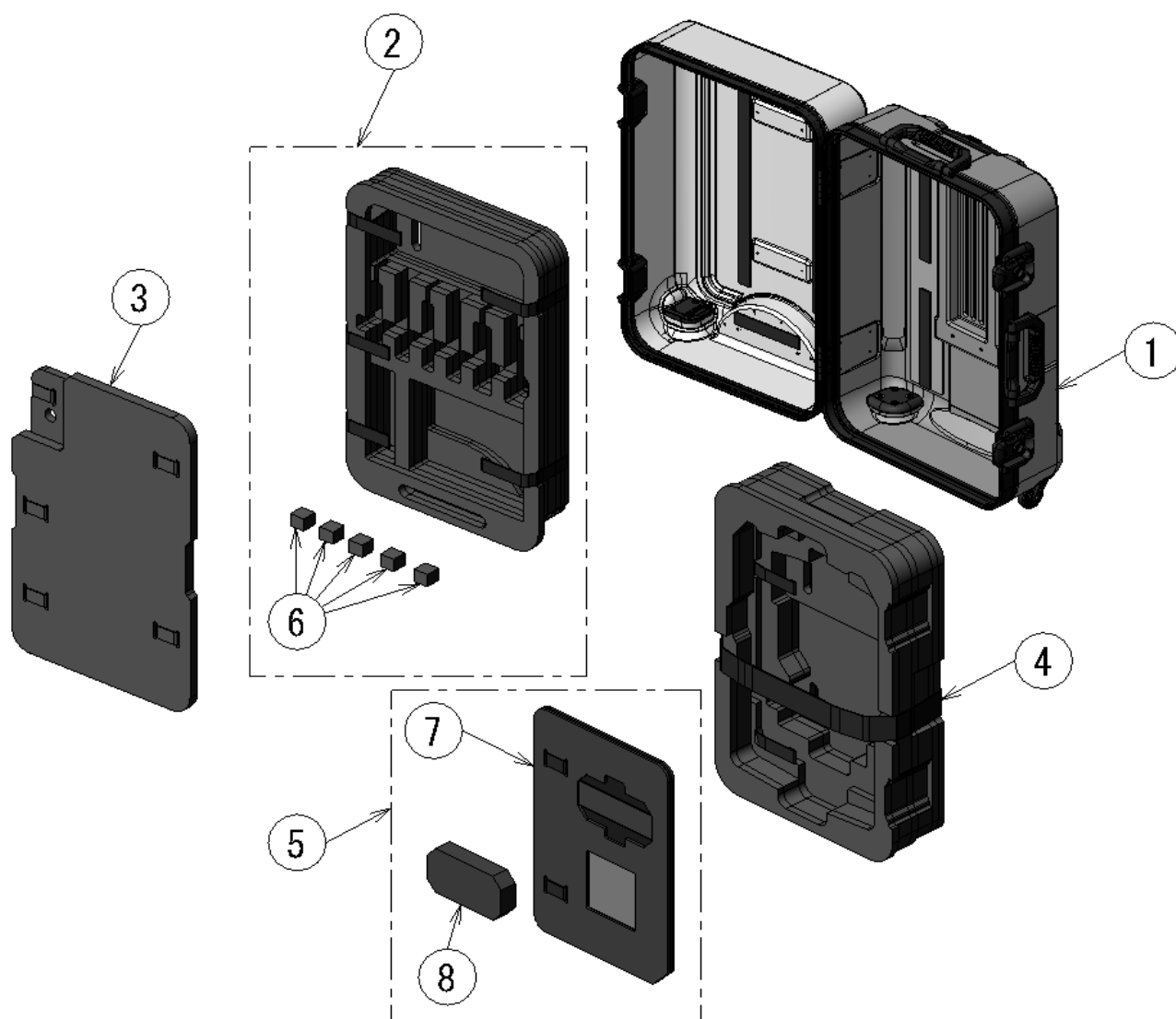
△ 2 14. CABLE



△△ 14. CABLE

KEY No.	PARTS No.	PART NAME		QTY	REMARKS
1	7359625A	CN4-5(FE-DCDC) CABLE		1	
2	7359626A	CN24-25(BE-KB)SP CABLE		1	
3	7359627A	CN63-64(FE-PRBCN)POW CABLE		1	
4	7359628A	CN32-33(BE-KB) CABLE		1	
5	7359629A	CN40-41(BE-FE) CABLE		1	
6	7359630A	CN42-43(BE-FE) CABLE		1	
7	7359631A	CN47-48(FE-PRBCN) CABLE		1	
8	7359632A	CN49-50(FE-PRBCN) CABLE		1	
9	7359633A	CN60-61(FE-PRBCN) CABLE		1	

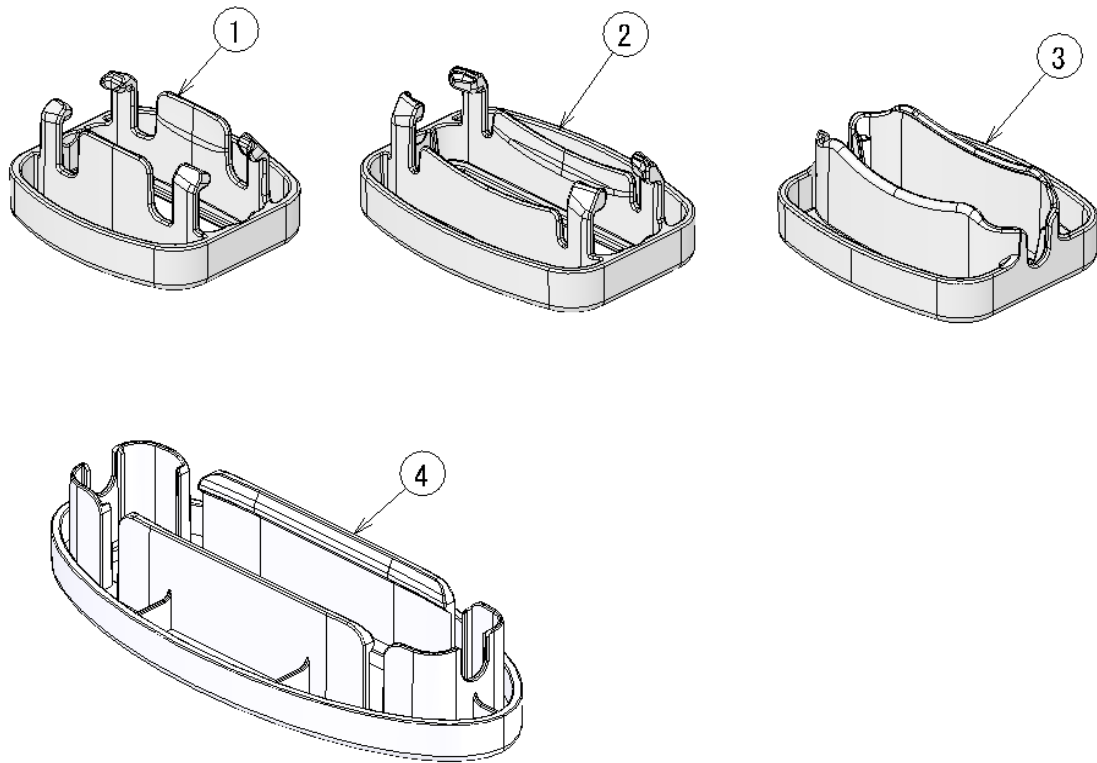
△ 15. EZU-TK1



△ 15. EZU-TK1

KEY No.	PARTS No.	PART NAME		QTY	REMARKS
1	7364664A	OUTER CASE/TK1		1	
2	7364664B	INNER F/TK1		1	
3	7364664C	COVER F/TK1		1	
4	7364664D	INNER R/TK1		1	
5	7364664E	COVER R/TK1		1	
6	7364664F	SPACER/TK1		5	
7	7364664G	COVER R PL/TK1		1	
8	7364664H	COVER R BL/TK1		1	

⚠ 16. ELASTO COUPLER



△ 16. ELASTO COUPLER

KEY No.	PARTS No.	PART NAME		QTY	REMARKS
1	7225446A	COUPLER L73S		1	(*1)
2	7226530A	COUPLER L74M		1	(*1)
3	7230413A	L75 COUPLER		1	(*1)
4	7220524A	COUPLER L53L		1	(*1)

注記

(\*1) これらのカプラが接続可能なプローブは以下のとおりです。

No1: "EUP-L73S" and "L44"    No2: "EUP-L74M" and "L55"    No3: "EUP-L75" and "L64"    No4: "EUP-L53L"

Caution

(\*1) Of these Couplers can be connected to the probe are as follows.

No1: "EUP-L73S" and "L44"    No2: "EUP-L74M" and "L55"    No3: "EUP-L75" and "L64"    No4: "EUP-L53L"

E