

Ultrasound Diagnostic Scanner

HI VISION Avius

PARTS LIST

①	Add OPTION "EZU-MT30-S1"
②	STEP3.0
③	STEP3.1
④	Correct FLASH DISK
⑤	Add parts"TRACK BALL-B"
⑥	STEP3.5
⑦	Add parts of DCP3 and DVIF2
⑧	STEP4.0
⑨	STEP5.0
⑩	Add parts of "ACCESSORIES" Add Elasto Coupler
⑪	Change parts of "PC UNIT"

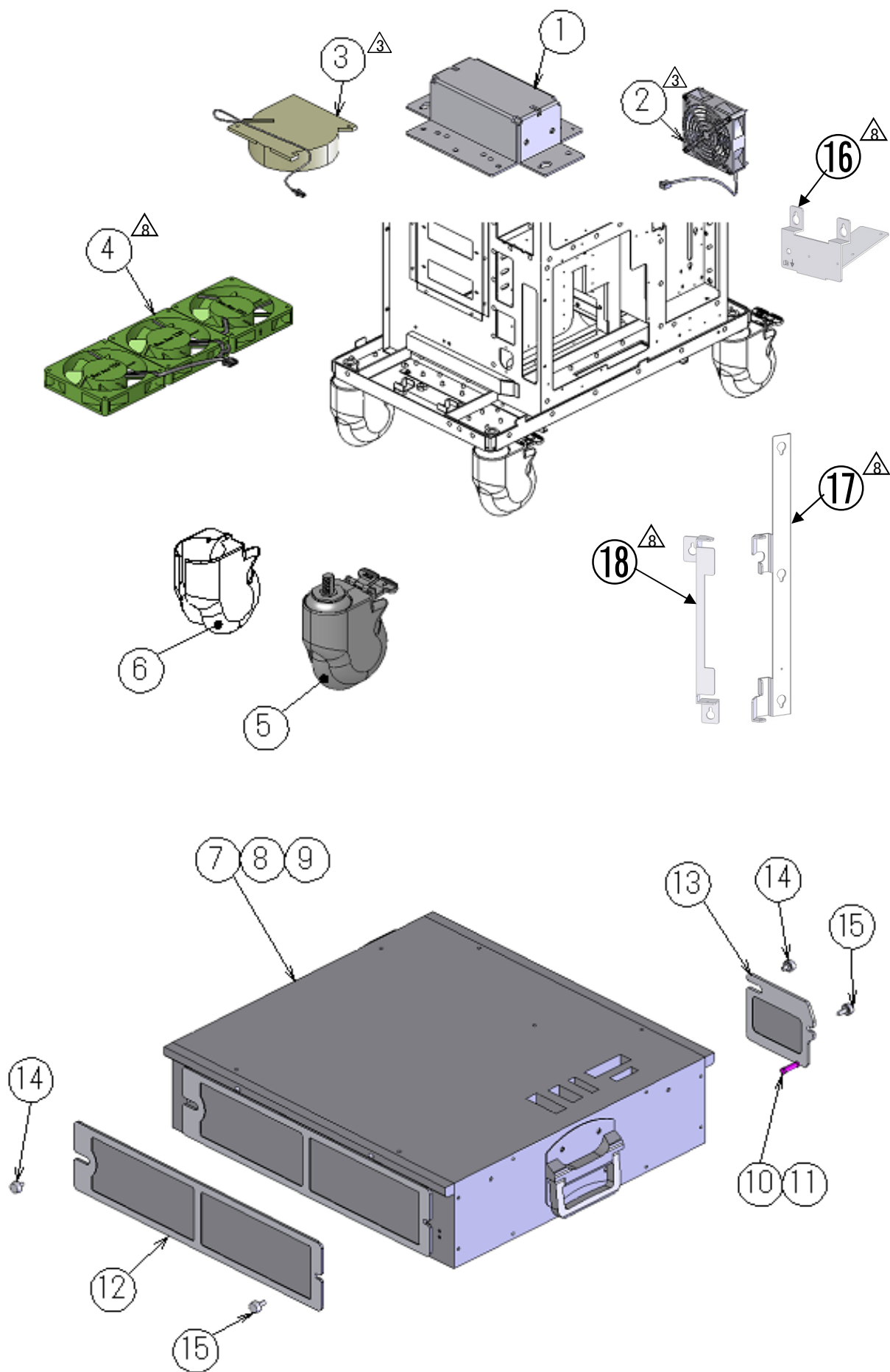
 **Hitachi Medical Corporation**

Tokyo, Japan

CONFIDENTIALITY: This material (including all drawings) contains proprietary information of the Hitachi Medical Corporation and shall not be disclosed to any third party or reproduced without the prior written permission of the Hitachi Medical Corporation.
Copyright © Hitachi Medical Corporation. 2009-2015. All rights reserved.

この資料(添付図面を含みます)は(株)日立メディコにおいて著作権および所有権を有するもので機密扱いになっております。したがって当社の許可無く複製すること、または、第三者に公開する

1. CART



1. CART

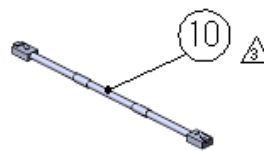
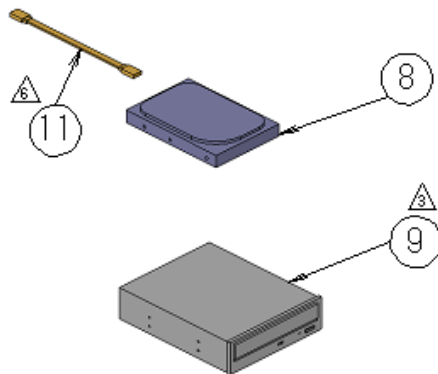
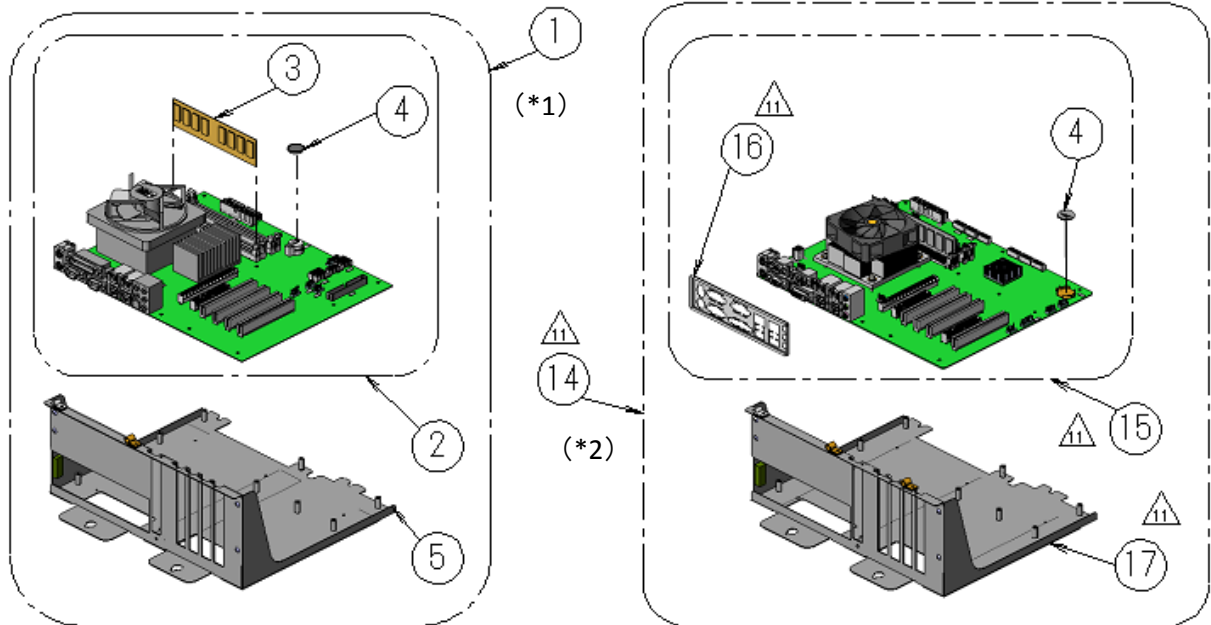
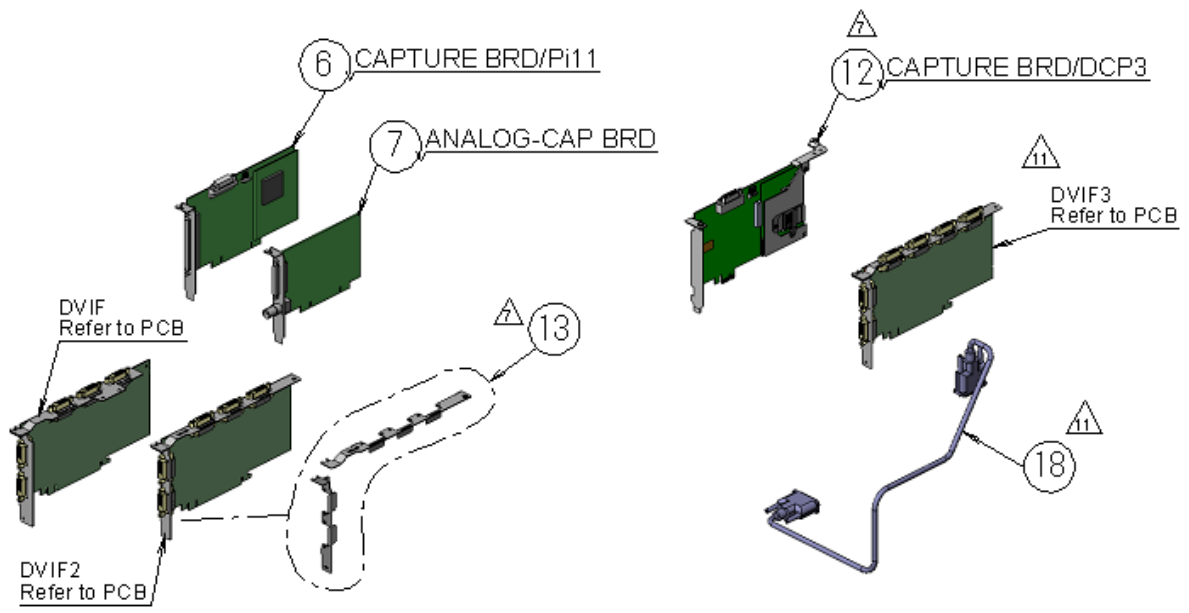
KEY No.	PARTS No.	PART NAME		QTY	REMARKS	
	1	7349107A	PANEL AXIS LOW		1	
△3	2	7439544A 7433947A	PC FAN		1	
△3	3	7439593A 7433948A	TOP FAN		1	
△8	4	7444890A 7436843A	BASE FAN-2/AVI BASE FAN/AVI		1	
	5	7345183A	125MM CASTER		4	
	6	7435203A	125MM CASTER COVER		1	
	7	7228666A	PS/824A-N		1	100-110V
	8	7228666B	PS/824A-U		1	120V
	9	7228666C	PS/824A-E		1	220-240V
	10	7435204A	FUSE 2A/250V		1	220-240V
	11	7435204B	FUSE 4A/250V		1	100-120V
	12	7344660A	AIR FILTER-F/824A		1	
	13	7344661A	AIR FILTER-R/824A		1	
	14	7417225A	UREA SCREW L=6		2	
	15	7417225C	UREA SCREW L=10		2	
△8	16	7349106A	POWER CORD PLATE/AVI		1	
△8	17	7233805A	HINGE PLATE/AVI		1	
△8	18	7349115A	HINGE BASE/AVI		1	

2. KEYBOARD

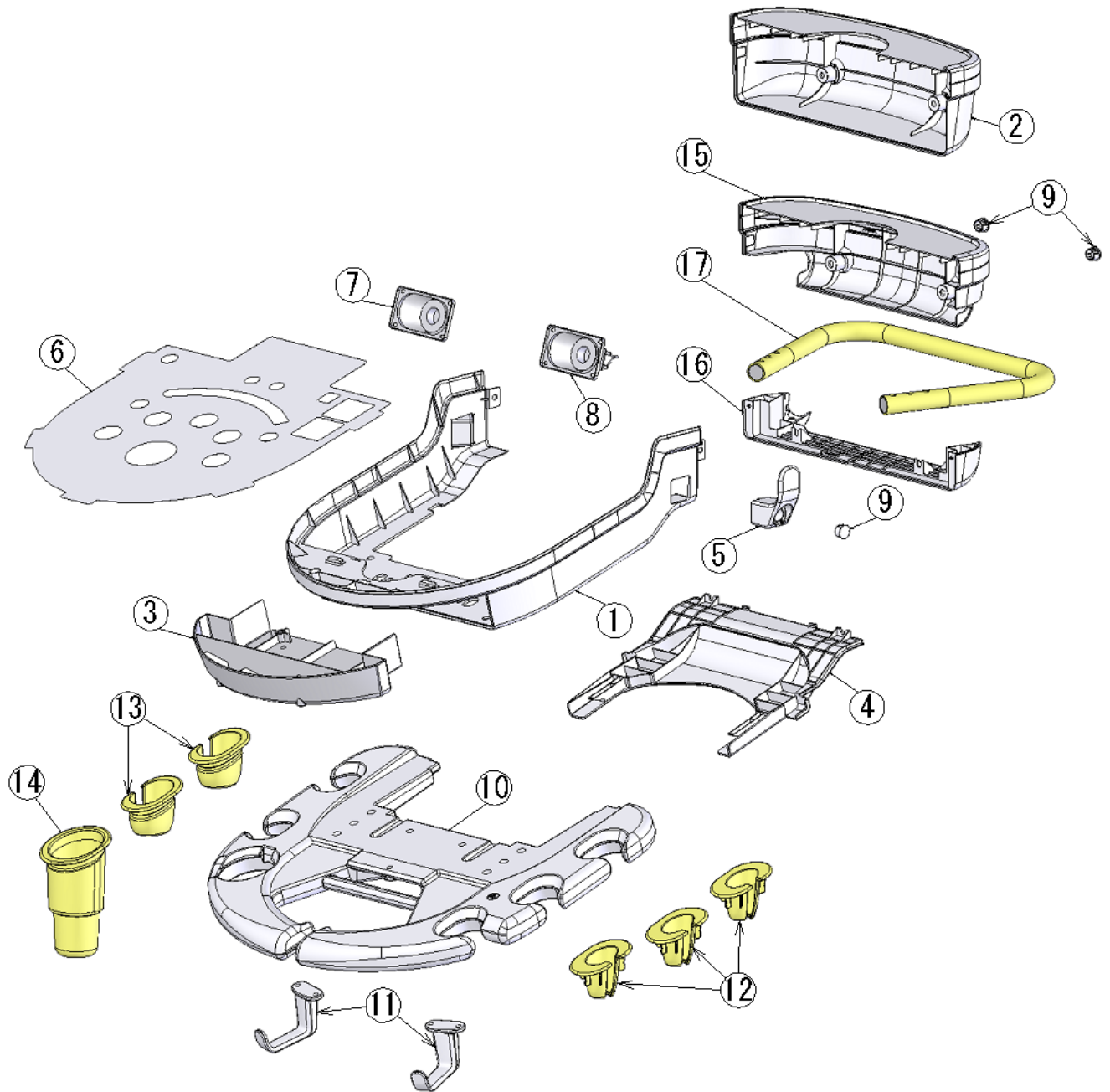
KEY No.	PARTS No.	PART NAME		QTY	REMARKS
△6 1	7347443A	PANEL UNIT J/AVI		1	JAPAN, without KBIF, TB, LOGO PLATE(*1)(*2)
△6 2	7347443B	PANEL UNIT E/AVI		1	ENGLISH, without KBIF, TB, LOGO PLATE(*1)(*2)
△6 3	7347443C	PANEL UNIT F/AVI		1	FRANCE, without KBIF, TB, LOGO PLATE(*1)(*2)
4	7349023A	PANEL COVER-J/AVI		1	JAPAN(*1)
5	7349023B	PANEL COVER-E/AVI		1	ENGLISH(*1)
6	7349023C	PANEL COVER-F/AVI		1	FRANCE(*1)
7	7349023D	RUB KEY SET-J/AVI		1	JAPAN
8	7349023E	RUB KEY SET-E/AVI		1	ENGLISH
9	7349023F	RUB KEY SET-F/AVI		1	FRANCE
10	7346126G	KEY PLATE SET-J		1	JAPAN
11	7346126H	KEY PLATE SET-E		1	ENGLISH
12	7346126J	KEY PLATE SET-F		1	FRANCE
13	7349023G	KEY CAP SET/AVI		1	
14	7349023H	PADDLE SET/AVI		1	
15	7346126N	VOL KNOB SET		1	
16	7349023J	PANEL COVER-B/AVI		1	
△6 17	7349023K	KB PCB SET/AVI		1	
18	7346126R	2AXIS ENCODER		5	
19	7346126S	1AXIS ENCODER		4	
20	7346126T	ODM ENCODER		1	
21	7346127A	KNOB SET J/E		1	JAPAN/ENGLISH
22	7346127B	KNOB SET F		1	FRANCE
23	7346127C	GAIN KNOB		5	
24	7346127D	B-CAP		1	JAPAN/ENGLISH /FRANCE
25	7346127E	CFI-CAP		1	JAPAN/ENGLISH
26	7346127F	PW-CAP		1	JAPAN/ENGLISH
27	7346127G	ELASTO/TDI-CAP		1	JAPAN/ENGLISH
28	7346127H	M-CAP		1	JAPAN/ENGLISH /FRANCE
29	7346127J	CFMI-CAP		1	FRANCE
30	7346127K	DP-CAP		1	FRANCE
31	7346127L	DTI-CAP		1	FRANCE

KEY No.	PARTS No.	PART NAME		QTY		
	32	7346127M	KNOB-M		2	
	33	7346127N	KNOB-S		4	
	34	7346127P	ELASTO-CAP		1	JAPAN/ENGLISH
	35	7346127Q	TDI-CAP		1	JAPAN/ENGLISH
△3	36	7349161A	KBIF-B		1	(*4)
△5	37	7346253A	TRACK BALL		1	(*2)
	38	7349015A	LOGO PLATE/AVI		1	(*1)
△5	39	7352833A	TRACK BALL-B		1	
△6	40	7347443D	PANEL UNIT2-J/AVI		1	JAPAN, without KBIF, TB, LOGO PLATE(*1)
△6	41	7347443E	PANEL UNIT2-E/AVI		1	ENGLISH, without KBIF, TB, LOGO PLATE(*1)
△6	42	7347443F	PANEL UNIT2-F/AVI		1	FRANCE, without KBIF, TB, LOGO PLATE(*1)
△6	43	7349023L	KB PCB SET2/AVI		1	
△6	44	7349023M	KB FUNC PCB(RC)/AVI		1	
△6	45	7349023N	KB FUNC PCB/AVI		1	
△6	46	7349161B	KBIF-B(RC)		1	(*4)
△△6	47	7347443G	PANEL UNIT2-V/AVI		1	JAPAN, for ANIMAL, without KBIF, TB, LOGO PLATE(*1)
△△6	48	7349023P	PANEL COVER-V/AVI		1	JAPAN, for ANIMAL(*1)
△△6	49	7349023Q	RUB KEY SET-V/AVI		1	JAPAN, for ANIMAL
△7	50	7349015B	LOGO PLATE/AVI-L		1	for Avius L(*1)

3. PC UNIT



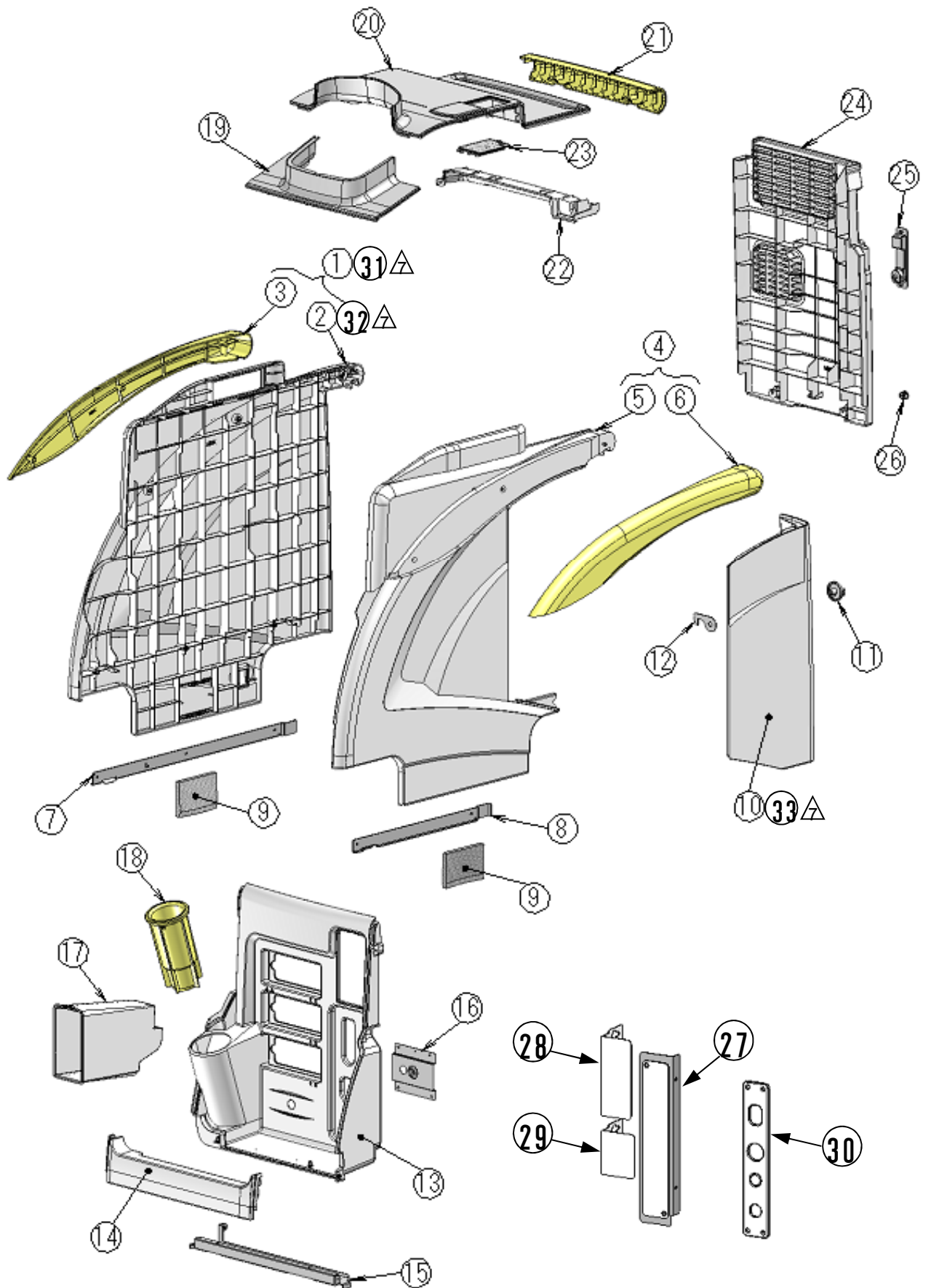
4. PANEL COVER



4. PANEL COVER

KEY No.	PARTS No.	PART NAME		QTY	REMARKS
1	7230373A	PANEL COVER-L/AVI		1	
2	7230374A	PANEL COVER-R/AVI		1	~Step2
3	7344213A	SUB DM COVER		1	
4	7230375A	PANEL COVER-B/AVI		1	
5	7348378A	CABLE HOOK/AVI		1	
6	7229027A	PANEL SHEET		1	
③	7438660A 7433960A	SPEAKER L-B SPEAKER L		1	
③	7438659A 7433959A	SPEAKER R-B SPEAKER R		1	
9	7346162A	SCREW CAP		3	
10	7230380A	PANEL HANDLE/AVI		1	
11	7344216A	CABLE HOOK		2	
12	7344221A	PRB HOLDER R-S		3	
13	7344220B	PRB HOLDER L-M		2	
14	7228772A	JELLY HOLDER-P		1	
②	7230738A	PANEL COVER R-UPPER		1	Step3~
②	7230739A	PANEL COVER R-LOWER		1	Step3~
②	7349145A	PIPE HANDLE		1	Step3~

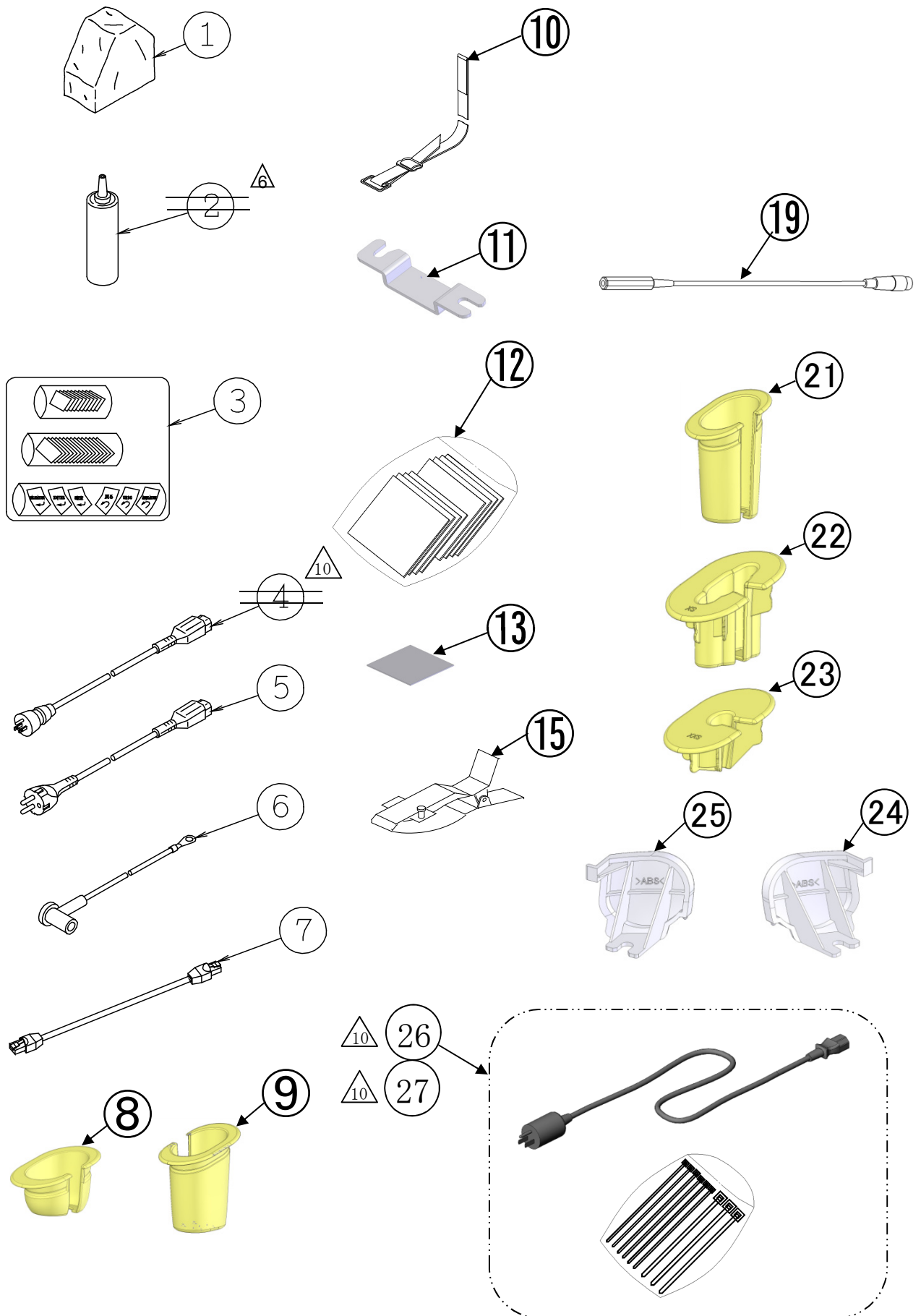
5. MAIN COVER



5. MAIN COVER

KEY No.	PARTS No.	PART NAME		QTY	REMARKS
1	7349007A	S-COVER-L SET/AVI		1	
2	7230350A	S-COVER-L/AVI		1	
3	7230351A	S-PEACE-L/AVI		1	
4	7349008A	S-COVER-R SET/AVI		1	
5	7230352A	S-COVER-R/AVI		1	
6	7230353A	S-PEACE-R/AVI		1	
7	7349126A	HOOK-L/AVI		1	
8	7349127A	HOOK-R/AVI		1	
9	7434059A	SPONGE-S		2	
10	7230354A	SIDE DOOR/AVI		1	
11	L931A093	DOOR HANDLE		1	
12	7436911A	HAN STOPPER/AVI		1	
13	7230348A	FRONT COVER/AVI		1	
14	7230349A	BUMPER/AVI		1	
15	7230730A	BUMPER PLT/AVI		1	
16	7349128A	DUMMY PLT/AVI		1	
17	7348346A	FRONT CASE/AVI		1	
18	7228781A	JELLY HOLDER-B		1	
19	7230355A	TOP-F COVER/AVI		1	
20	7230356A	TOP-R COVER/AVI		1	
21	7230357A	HAN-U COVER/AVI		1	
22	7230358A	HAN-L COVER/AVI		1	
23	7348731A	SLIDE COVER/AVI		1	
24	7230359A	REAR COVER/AVI		1	
25	L931A094	POWER CORD HOOK		1	
26	7346162A	SCREW CAP		2	
△3	27	7345196A	ECG BLIND PLATE	1	
△3	28	7434235A	USB BLIND PLATE	1	
△3	29	7434236A	CW BLIND PLATE	1	
△3	30	7344226A	ECG PANEL	1	
△3	31	7349007B	S-COVER-L SET/AVI-L	1	for Avius L
△3	32	7230350B	S-COVER-L/AVI-L	1	for Avius L
△3	33	7230354B	SIDE DOOR/AVI-L	1	for Avius L

6. ACCESSORIES

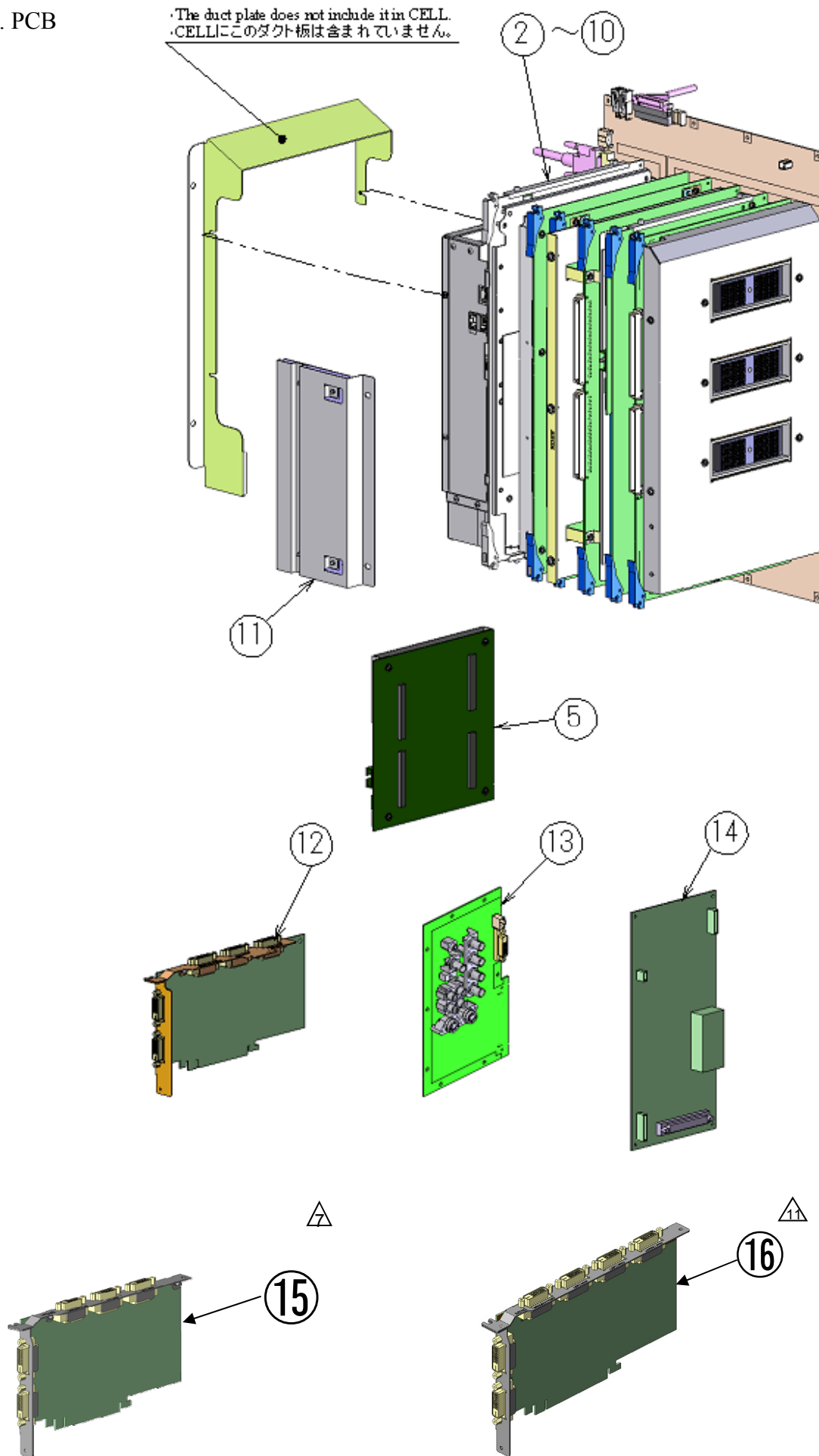


6. ACCESSORIES

KEY No.	PARTS No.	PART NAME		QTY	REMARKS	
	1	13777XXF	DUST COVER		1	
△	2	S2909001	ULTRASOUND JELLY		2	
	3	7344668A	KEY PLT(SUB) SET		1	
	4	E910A037	POWER CORD		1	100-120V
	5	E910A038	POWER CORD/200V		1	200-240V
	6	1477344A	EARTH CORD		1	
	7	E910A217	LAN CORD		1	
△	8	7344220A 7228773A	PRB HOLDER R-M		1	
△	9	7228773A 7344220A	PRB HOLDER L-L		1	
	10	S290A007	BELT/6500		2	
	11	7436912A	BELT HOOK/AVI		2	
	12	7434068A	VELCRO SET		1	
	13	7433952A	SKID SHEET		4	
	14					
	15	J8611101	ECG CLIP		1	EZU-EK28
△	16	E910A230	ECG ADAPTER CORD		1	EZU-EK28
△	17	E910A228	ECG CORD(PIN)		1	EZU-EK28
△	18	E910A229	ECG CORD(CLIP)		1	EZU-EK28
	19	7344669A	DCIN ECG CORD		1	EZU-EK28
	20					
△	21	7228773B	PRB HOLDER R-L		1	
△	22	7351811A	PRB HOLDER R-XS		1	
△	23	7351812A	PRB HOLDER R-XXS		1	
△	24	7351135A	HANDLE CAP R		1	
△	25	7351135B	HANDLE CAP L		1	
△	26	AA02496A	POWER CORD SET/100V		1	100-120V
△	27	AA02496B	POWER CORD SET/100V		1	100-120V (For USA)

7. PCB

・The duct plate does not include it in CELL.
 ・CELLにこのダクト板は含まれていません。



7. PCB

KEY No.	PARTS No.	PART NAME	APPLICABLE Rev. 適用可能Rev.	FLASH DISK necessity (*1) 要否 (*1)		QTY	APPLICABLE S/N (*2) 適用可能 製番 (*2)	REMARKS
△ △ △ △ △ △ △ △	1	7349479H FLASH DISK_H/AVI 7349479G FLASH DISK_G/AVI 7349479E FLASH DISK_E/AVI 7349479B FLASH DISK/AVI 7356085D FLASH DISK_D 7356085E FLASH DISK_E 7356085F FLASH DISK_F 7356085H FLASH DISK_H	-	-		1	-	
	2	7513953A MB/AVI	A/*			1		
	3	7513904A TPRB/AVI	A/*	✓		1		
	4	7513630A CW	A/*	✓		1		EZU-ST8
	5	7513649A MTDREV	A/*	✓		1		EZU-4D6/7
	6	7513652A MTBP	A/*			1		EZU-4D6/7
	7	7513907A RDBF/AVI	A/*	✓		1		
	8	7513734A CONT-B	B/*	✓		1		
△	9	7349485A DC-DC2/824K2	A/*			1		
	10	7345930A CELL	A/*	✓		1		
	11	7513908A JMP-B/AVI	A/*			1		
	12	7513654A DVIF	A/*			1		
	13	7513906A TVIF-B/VIF2	A/*	✓		1		EZU-ViF2
	14	7513632A BIO/EK	A/*	✓		1		EZU-EK28
△	15	7514890A DVIF2	B/*			1	KE15668201～, KE15441201～, KE15371201～, KE15865201～, KE15864201～	V03-60～
△	16	7515673A DVIF3	C/*			1		

(*1) : Please order No.1 "FLASH DISK AVI" with ordering a PCB. And, use the latest revision.

(*2) : This means S/N when shipped by the factory. It doesn't agree to this table if you change the PCBs after shipping.

△ (*3) : No.15 DVIF2 is what changed No.12 DVIF to attach EZU-DCP3, and there is no attachment compatibility with EZU-DCP1. And, DVIF is no attachment compatibility with EZU-DCP3.

△ Available for the system that the system revision "1V" was not painted in black.

△ (*4) : Available for the system that the system revision "1V" was painted in black.

(*1) : ✓の場合は、基板手配時にNo.1 "FLASH DISK AVI" も一緒に手配して下さい。また必ず最新のFLASH DISKを使用して下さい。

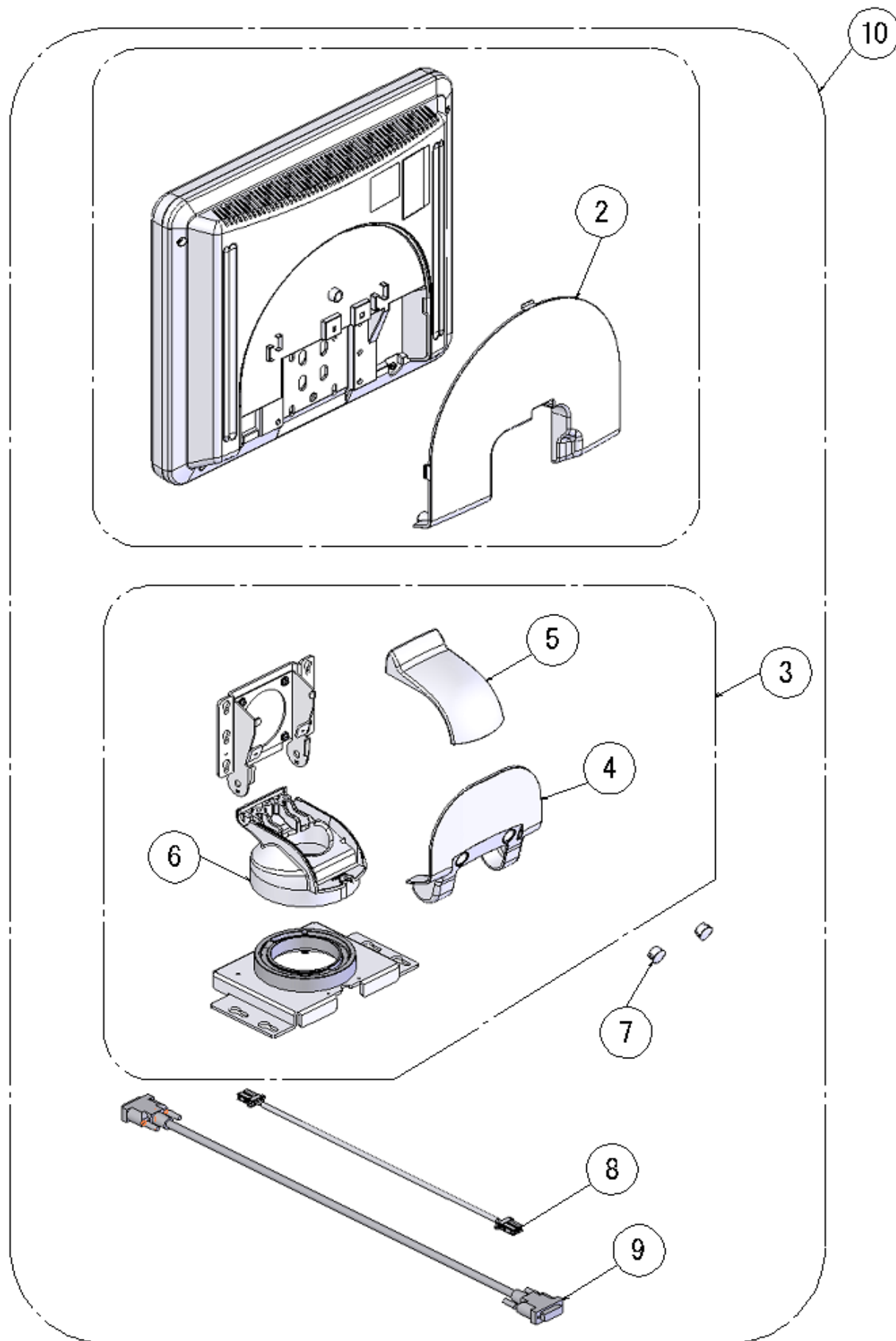
(*2) : 工場出荷時の製番を表します。出荷後にバージョンアップ、基板交換などをした場合はこの表と一致しません。

△ (*3) : No.15 DVIF2は、EZU-DCP3取り付け用に No.12 DVIFを変更したもので、EZU-DCP1との取り付け互換はなく、DVIFはEZU-DCP3との取り付け互換はありません。

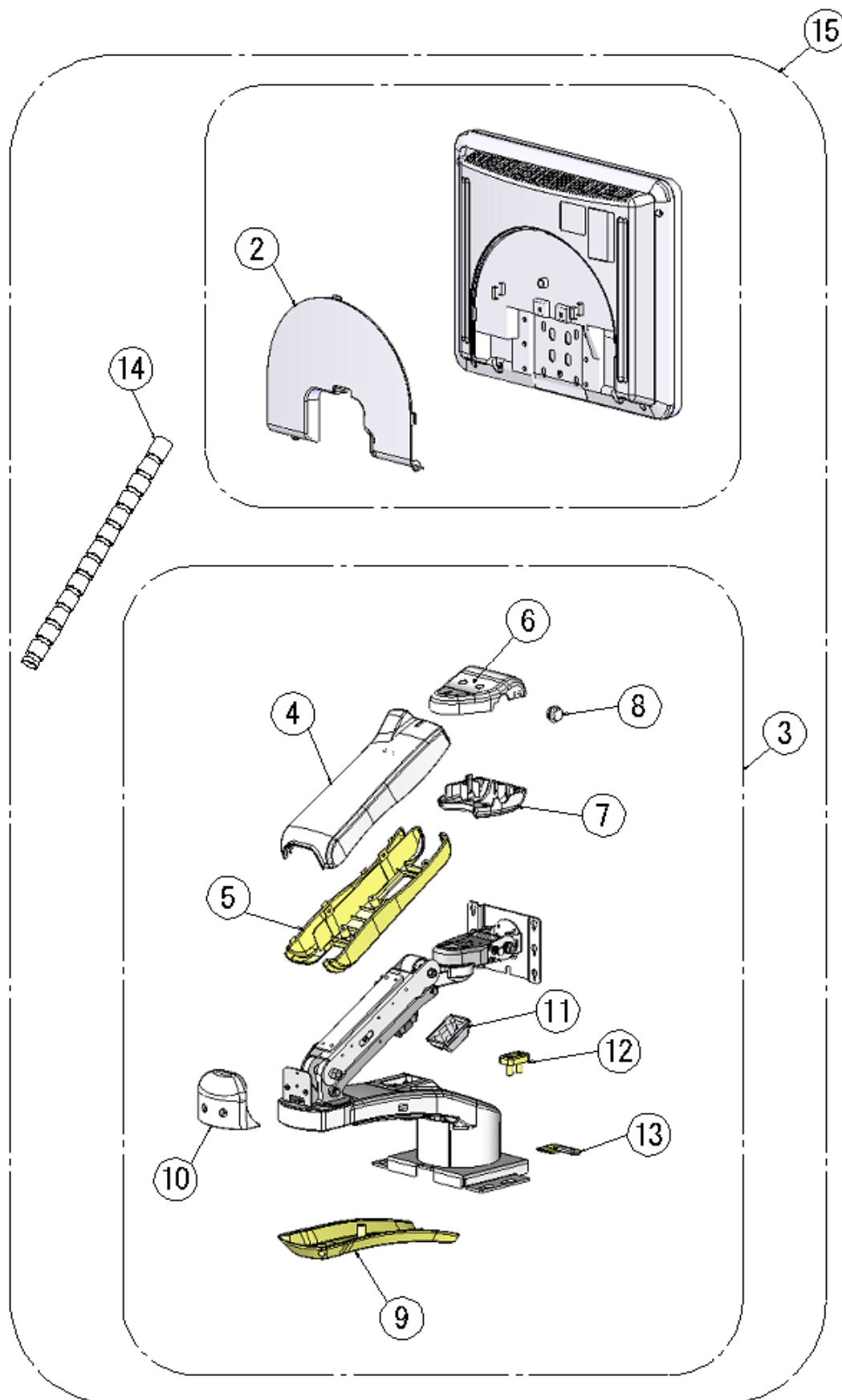
△ 装置レビジョン"1V"が塗りつぶされていない装置に適用。

△ (*4) : 装置レビジョン"1V"が塗りつぶされている装置に適用

8. MONITOR (EZU-MT29-S1)



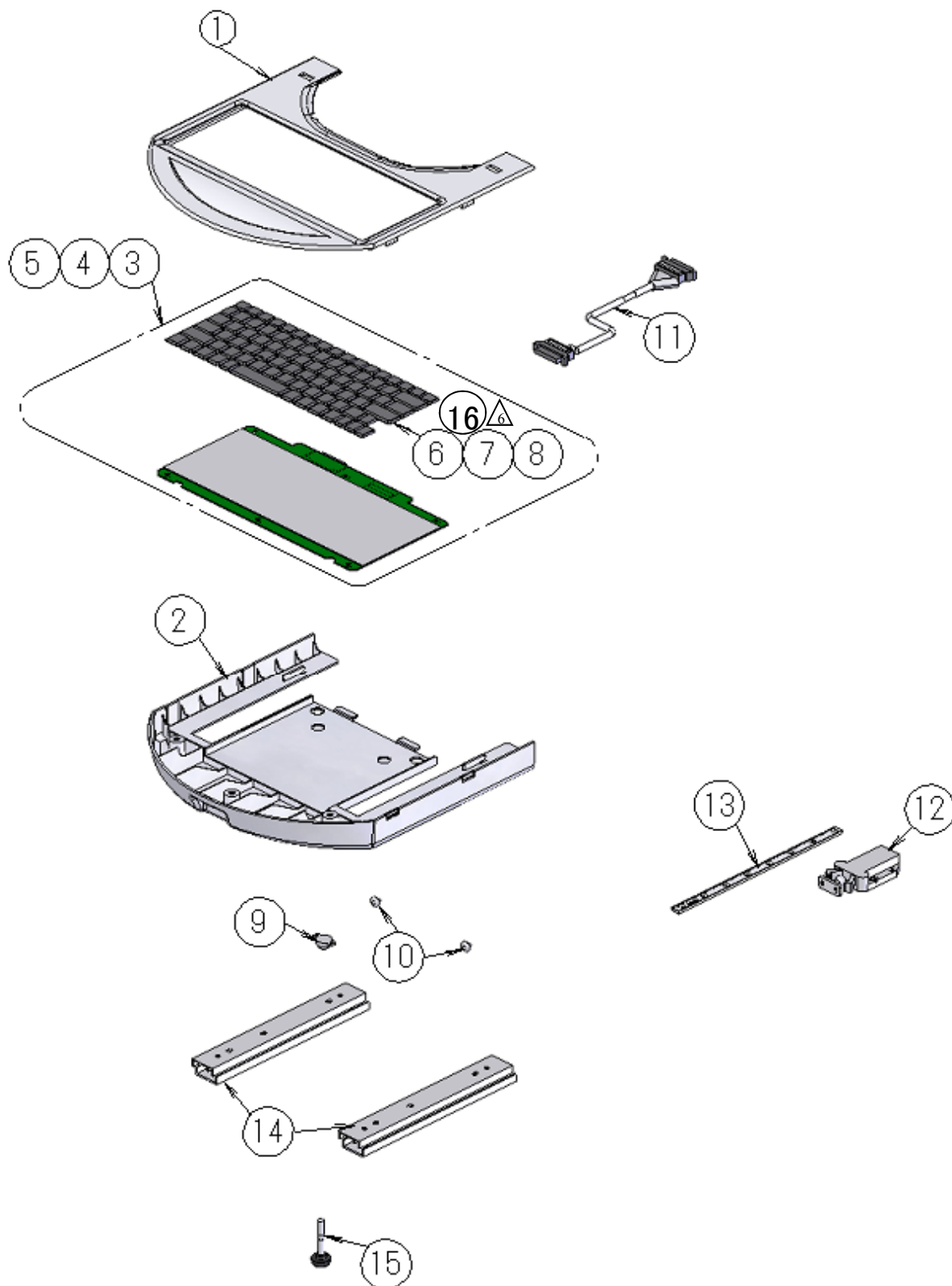
△ 9. MONITOR (EZU-MT30-S1)



△ 9. MONITOR (EZU-MT30-S1)

KEY No.	PARTS No.	PART NAME		QTY	REMARKS
△ 3 1	7348924A	17LCD MONITOR/MT		1	
2	7117895A	17LCD CABLE COVER/MT		1	
3	7350390A	LCD ARM SET/MT30		1	
4	7340937B	ARM T-COVER/MT28		1	
5	7340936B	ARM TB-COVER/MT28		1	
6	7340939B	HEAD T-COVER/MT28		1	
7	7340940B	HEAD B-COVER/MT28		1	
8	7340941B	HEAD BUTTON/MT28		1	
9	7340935B	ARM B-COVER/MT28		1	
10	7340938B	JOINT COVER/MT28		1	
11	7340954A	HOOK COVER/MT27		1	
12	7340949B	LOCK PLATE/MT28		1	
13	7340946B	ARM BUTTON/MT28		1	
14	7437706A	CABLE TUBE/MT30		1	
△ 11 △ 3 15	UoG087XX 7231323A	EZU-MT30-S1		1	

10. EZU-AK1N/AK1E/AK1F/AK1V

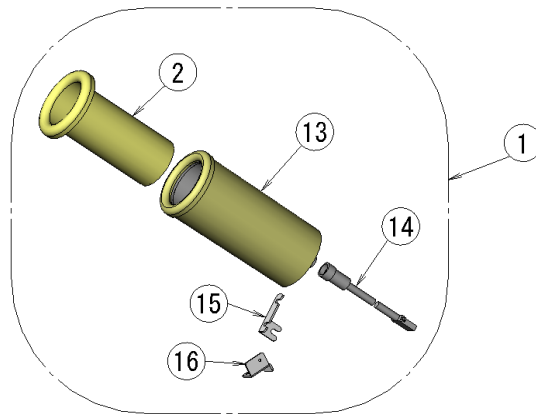


10. EZU-AK1N/AK1E/AK1F

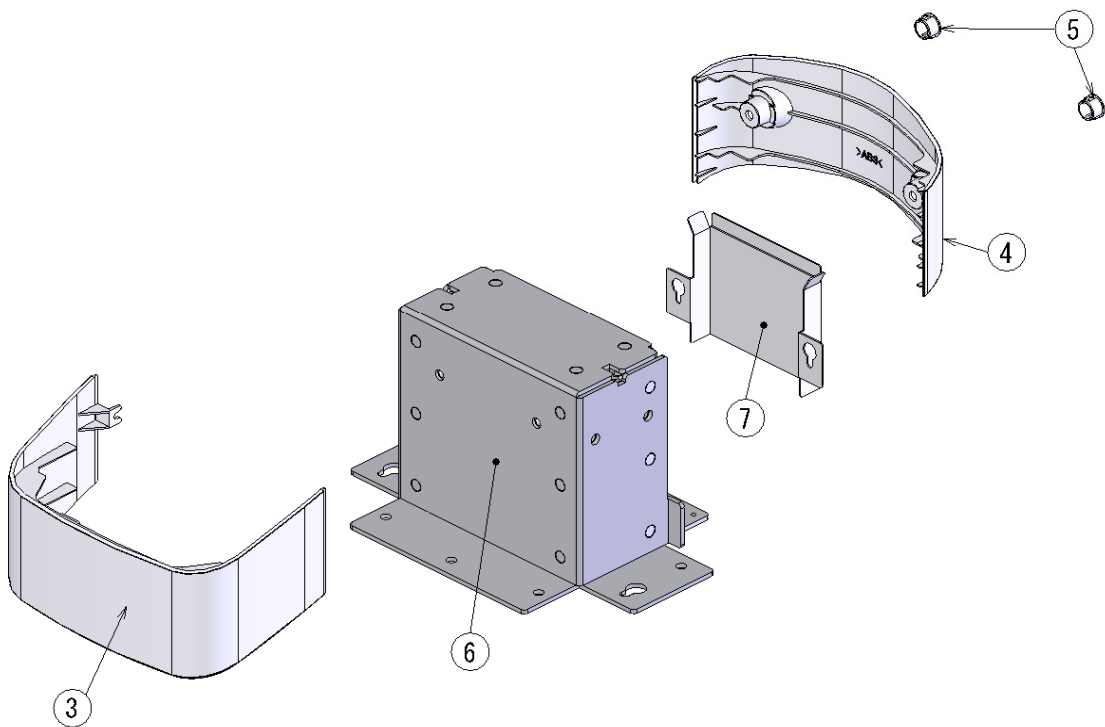
KEY No.	PARTS No.	PART NAME		QTY	REMARKS
1	7228775A	SUB KEY COVER-T		1	
2	7228776A	SUB KEY COVER-B		1	
3	7345617A	SUB KEY-J		1	JAPAN/AK1N
4	7345617B	SUB KEY-E		1	ENGLISH/AK1E
5	7345617C	SUB KEY-F		1	FRANCE/AK1F
6	7346153A	SUB KEY CAP SET-J		1	JAPAN/AK1N
7	7346153B	SUB KEY CAP SET-E		1	ENGLISH/AK1E
8	7346153C	SUB KEY CAP SET-F		1	FRANCE/AK1F
9	L978A013	HG DUMPER		1	
10	F990A020	CUSHION RUBBER		2	
11	7344835A	SUB KEY CABLE		1	
12	L9370225	ONE-TOUCH CATCH		1	
13	7344224A	SUB KEY RAIL		1	
14	L973A008	SLIDE RAIL		2	
15	L931A095	LOCK SCREW		1	
△ △	16	7346153D	SUB KEY CAP SET-V	1	JAPAN, FOR ANIMAL /AK1V

11. OTHER OPTION

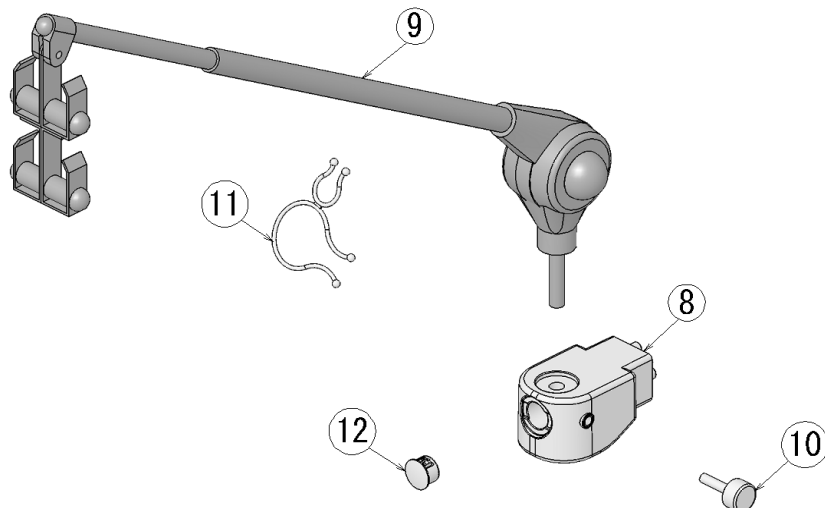
EZU-JW1



EZU-HN1



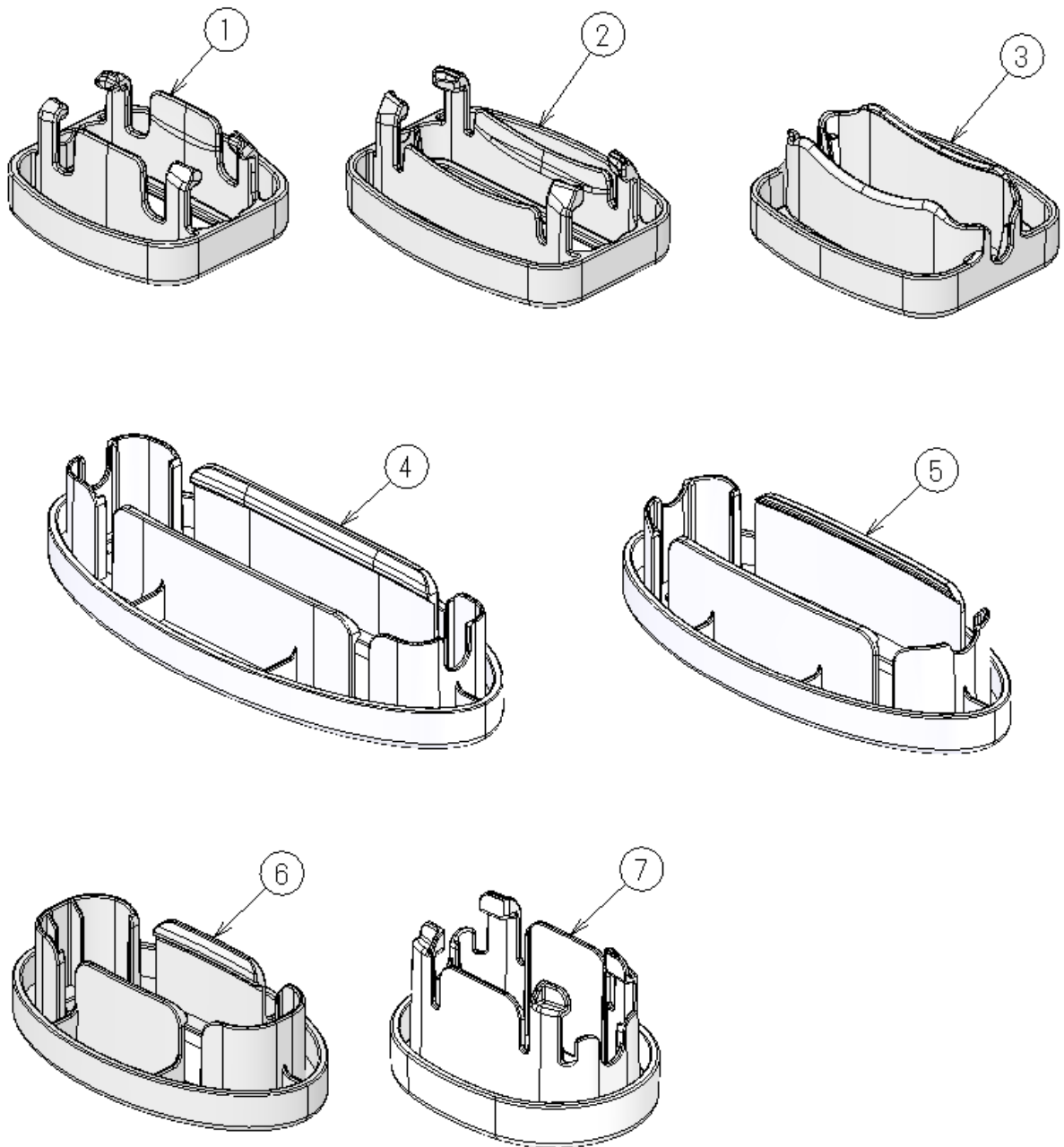
EZU-TH7



11. OTHER OPTION

KEY No.	PARTS No.	PART NAME		QTY	REMARKS
1	UoG050	EZU-JW1		1	EZU-JW1
2	7331443B	HOLDER TUBE		1	EZU-JW1
3	7230376A	NECK COVER-F/AVI		1	EZU-HN1
4	7230377A	NECK COVER-R/AVI		1	EZU-HN1
5	7346162A	SCREW CAP		2	EZU-HN1
6	7230734A	PANEL AXIS HIGH		1	EZU-HN1
7	7349138A	NECK SHIELD HIGH		1	EZU-HN1
△ ₂	8	7351343A	HANGER BASE/AVI	1	EZU-TH7
△ ₂	9	1281048A	HANGER ARM	1	EZU-TH7
△ ₂	10	L931A097	KNOB SCREW	1	EZU-TH7
△ ₂	11	1486172A	PURSE LOCK	1	EZU-TH7
△ ₂	12	7346162A	SCREW CAP	1	EZU-TH7
△ ₉	13	7441350A	JELLY WARMER	1	EZU-JW1
△ ₉	14	7433961A	JELLY WARMER CABLE B	1	EZU-JW1
△ ₉	15	7434242A	JELLY BRK	1	EZU-JW1
△ ₉	16	7434243A	JELLY BRK2	1	EZU-JW1

10 12. ELASTO COUPLER



10 12. ELASTO COUPLER

KEY No.	PARTS No.	PART NAME		QTY	REMARKS
1	7225446A	COUPLER L73S		1	EUP-L73S
2	7226530A	COUPLER L74M		1	EUP-L74M
3	7230413A	L75 COUPLER		1	EUP-L75
4	7220524A	COUPLER L53L		1	EUP-L53L
5	7220523A	COUPLER L53		1	EUP-L53
6	7220525A	COUPLER L54M		1	EUP-L54MA
7	7331474A	COUPLER L65		1	EUP-L65

E