

Ultrasound Diagnostic Scanner

HI VISION Preirus

PARTS LIST

△1	STEP1
△2	Correction of PCB REMARKS PCB REMARKSの修正
△3	STEP2
△4	Add parts "TVIF UNIT/VIF1(7229319A)"
△5	STEP3
△6	Correction concerning "Parts of EZU- ViF1"
△7	STEP3.1
△8	Add parts"TRACK BALL-B"
△9	Change parts of "KEYBOARD" キーボードパーツ変更
△10	STEP3.5
△11	Add parts of DCP3 and DVIF2
△12	STEP4.0
△13	Add parts of RV6, RV8 and OTHER OPTION
△14	STEP5.0
△15	Add parts of "ACCESSORIES" Elasto Coupler追加
△16	Change parts of "PC UNIT"

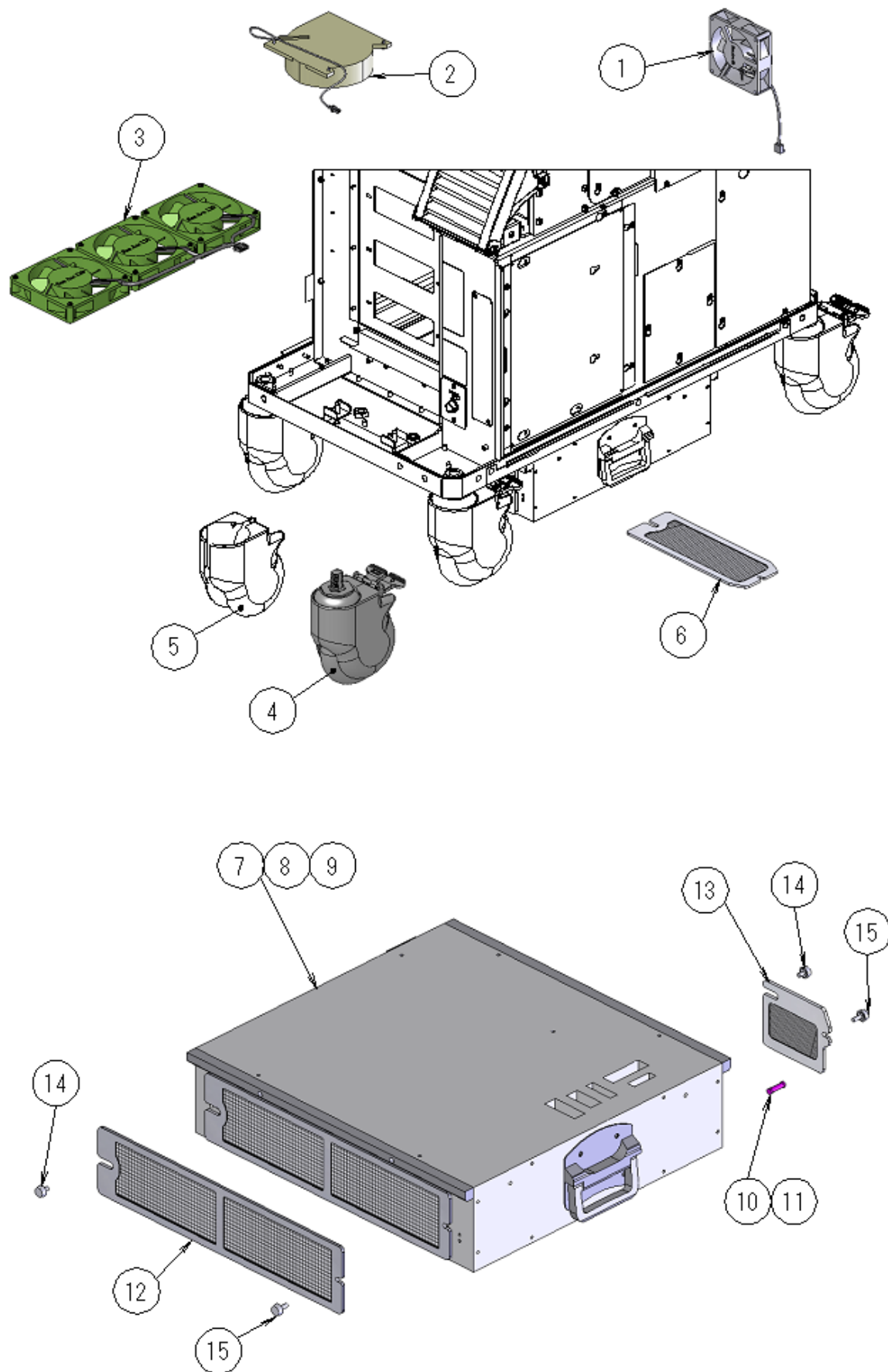
 **Hitachi Medical Corporation**

Tokyo, Japan

CONFIDENTIALITY: This material (including all drawings) contains proprietary information of the Hitachi Medical Corporation and shall not be disclosed to any third party or reproduced without the prior written permission of the Hitachi Medical Corporation.
Copyright © Hitachi Medical Corporation. 2009-2015. All rights reserved.

この資料(添付図面を含みます)は(株)日立メディコにおいて著作権および所有権を有するもので機密扱いになっております。したがって当社の許可無く複製すること、または、第三者に公開する

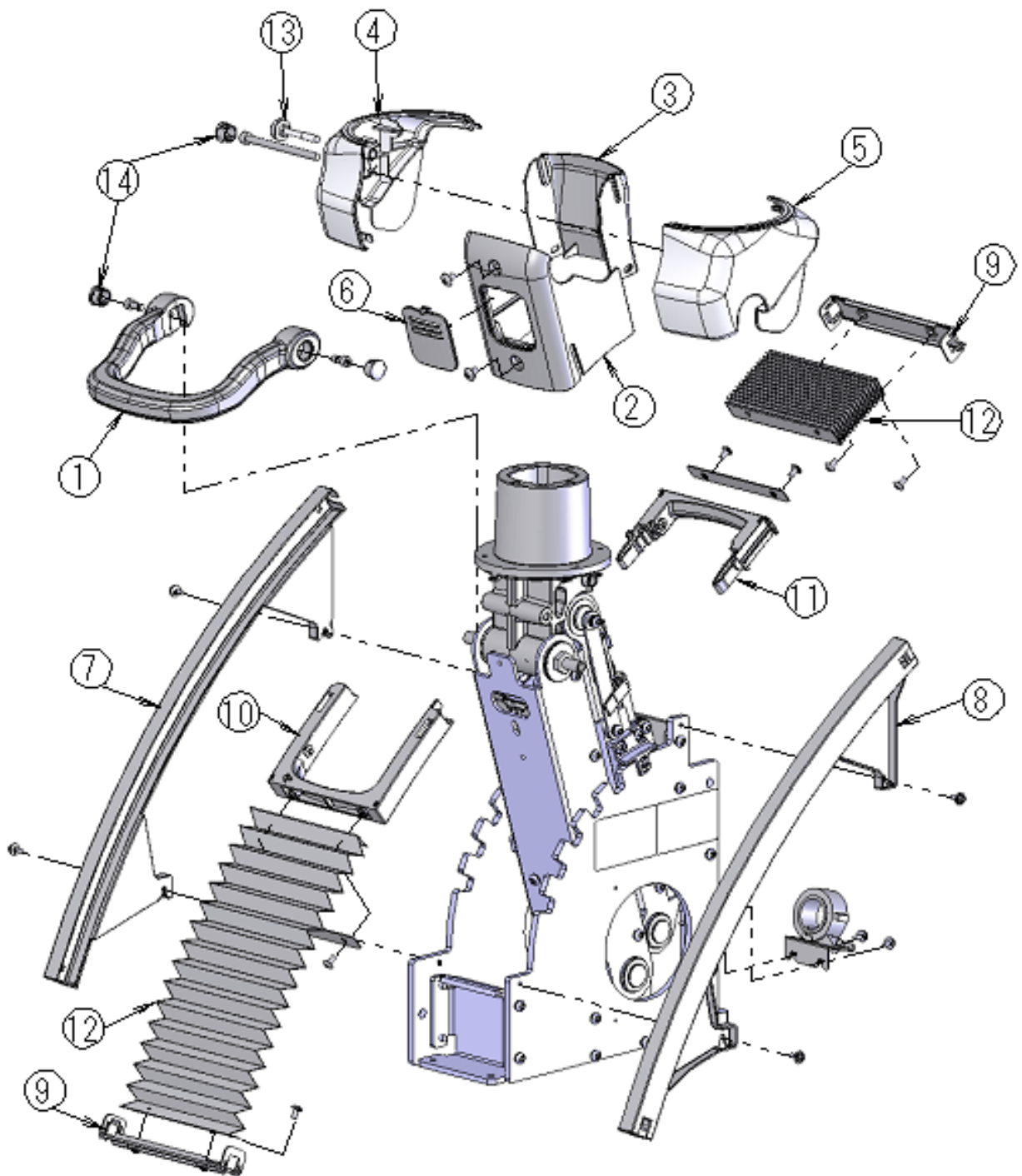
1. CART



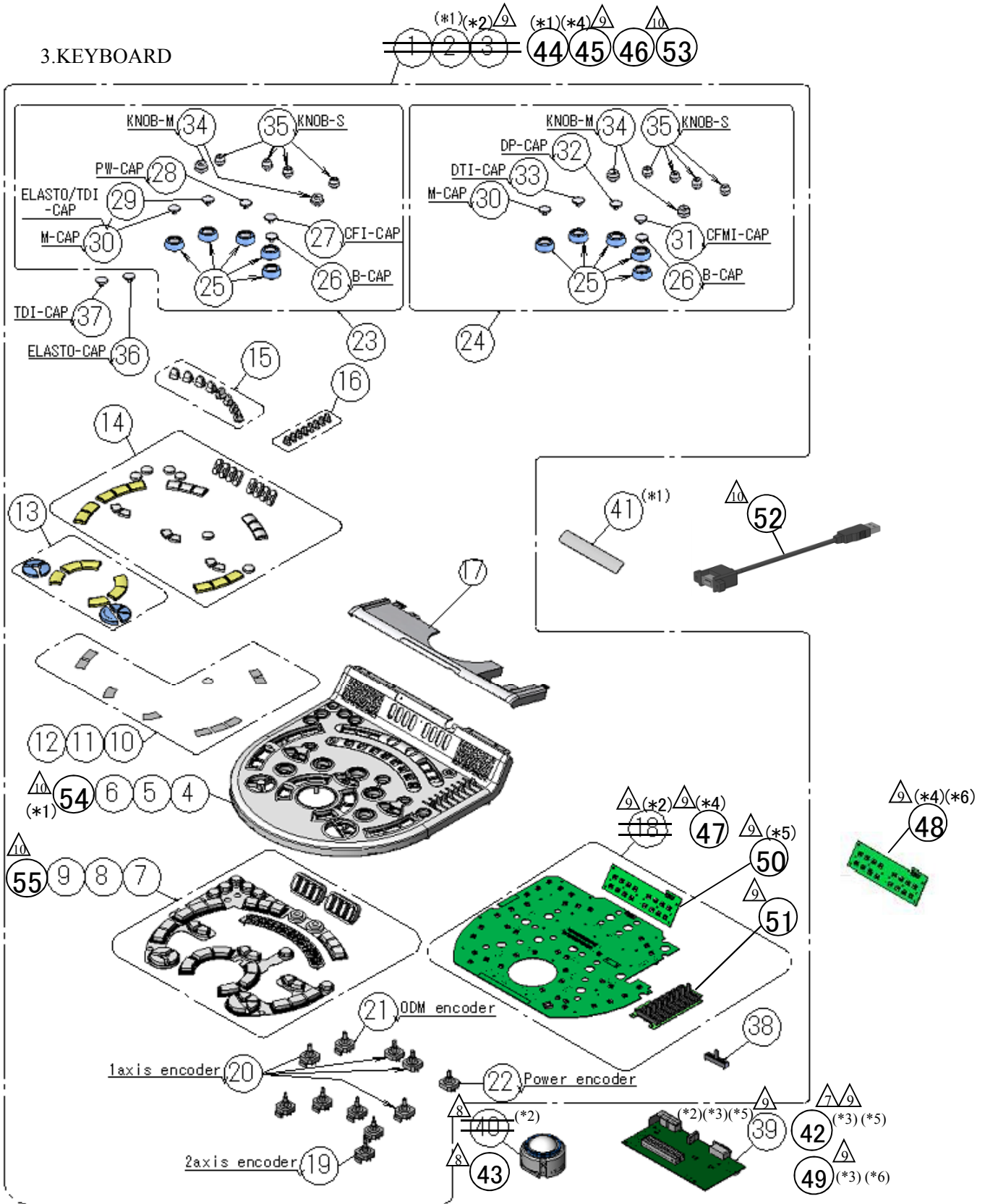
1. CART

KEY No.	PARTS No.	PART NAME		QTY	REMARKS
1	7433947A	PC FAN		1	
2	7433948A	TOP FAN		1	
3	7433949A	BASE FAN		1	
4	7345183A	125MM CASTER		4	
5	7435203A	125MM CASTER COVER		1	
6	7344659A	AIR FILTER		1	
7	7228666A	PS/824A-N		1	100-110V
8	7228666B	PS/824A-U		1	120V
9	7228666C	PS/824A-E		1	220-240V
10	7435204A	FUSE 2A/250V		1	220-240V
11	7435204B	FUSE 4A/250V		1	100-120V
12	7344660A	AIR FILTER-F/824A		1	
13	7344661A	AIR FILTER-R/824A		1	
14	7417225A	UREA SCREW L=6		2	
15	7417225C	UREA SCREW L=10		2	

2. PANEL ARM



3.KEYBOARD



(*1) : Please order No.41 "LOGO PLATE/PRE" with "No.1~6 or No.44~46" or "No.53,54". Because, No.41 isn't stuck to them.

(*2) : This parts went out of production. Please place an order for the compatible other parts, if there are no stocks in the factory.

(*3) : Please order 8.PCB No.1 "~~FLASH DISK/PRE~~" with ordering a "No.39 KBIF", "No.42 KBIF-B", No.49 KBIF-B(RC). And, use the latest revisior

(*4) : When "EZU-RH4 and EZU-RIF4 " are used, please order No.48 "KB FUNC PCB(RC)" with "No.44~47".

Because, "No.44~47" are unmounted the device (IC) for "EZU-RH4 and EZU-RIF4".

(*5) : These parts (No.39 "KBIF" and No.42 "KBIF-B" and No.50 "KB FUNC PCB") don't support "EZU-RH4 and EZU-RIF4/5".

(*6) : This parts (No.48 "KB FUNC PCB(RC)" and No.49 "KBIF-B(RC)") supports "EZU-RH4 and EZU-RIF4/5".

(*1) : No.1~6やNo.44~46、53、54を手配する場合は、No.41のLOGO PLATE/PRE がついていませんので、No.41 も一緒に手配して下さい。

(*2) : このパーツは生産中止になりました。もし、工場に在庫がない場合は、互換性のある別パーツを手配ください。

(*3) : No.39 KBIF, No.42 KBIF-B, No.49 KBIF-B(RC)の手配時には、8.PCB No.1 [△]FLASH DISK ~~FLASH DISK/PRE~~ も一緒に手配して下さい。

また、必ず最新のFLASH DISKを使用して下さい。

(*4) : 「EZU-RH4、EZU-RIF4/5」の使用装置で、No.44~47を手配する場合はNo.48のKB FUNC PCB(RC)も一緒に手配して下さい。

"No.44~47"には、"EZU-RH4、EZU-RIF5"専用のICが搭載されていません。

(*5) : パーツ (No.39 "KBIF" and No.42 "KBIF-B" and No.50 "KB FUNC PCB") は、"EZU-RH4 及び EZU-RIF4/5"に対応していません。

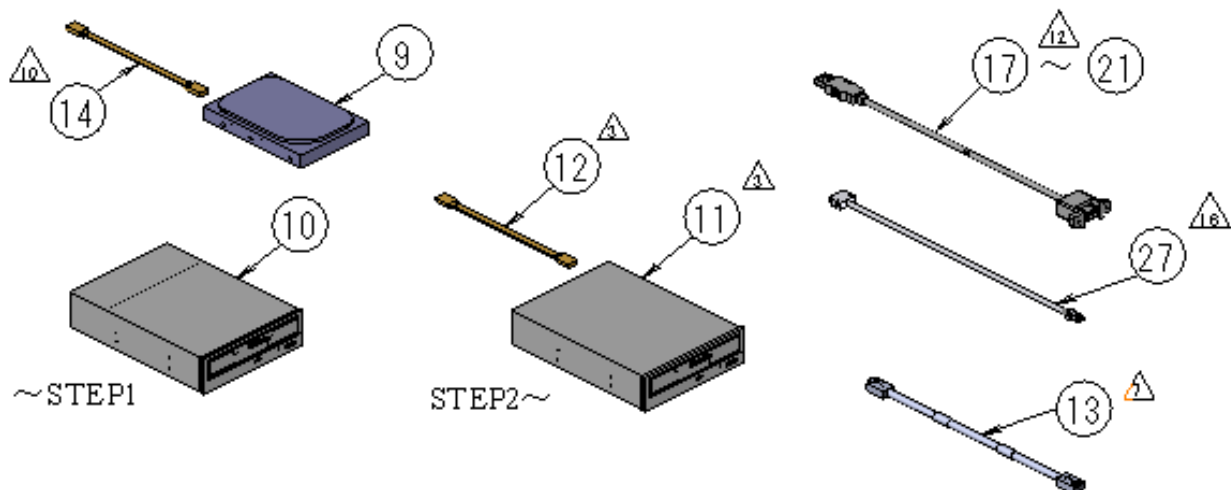
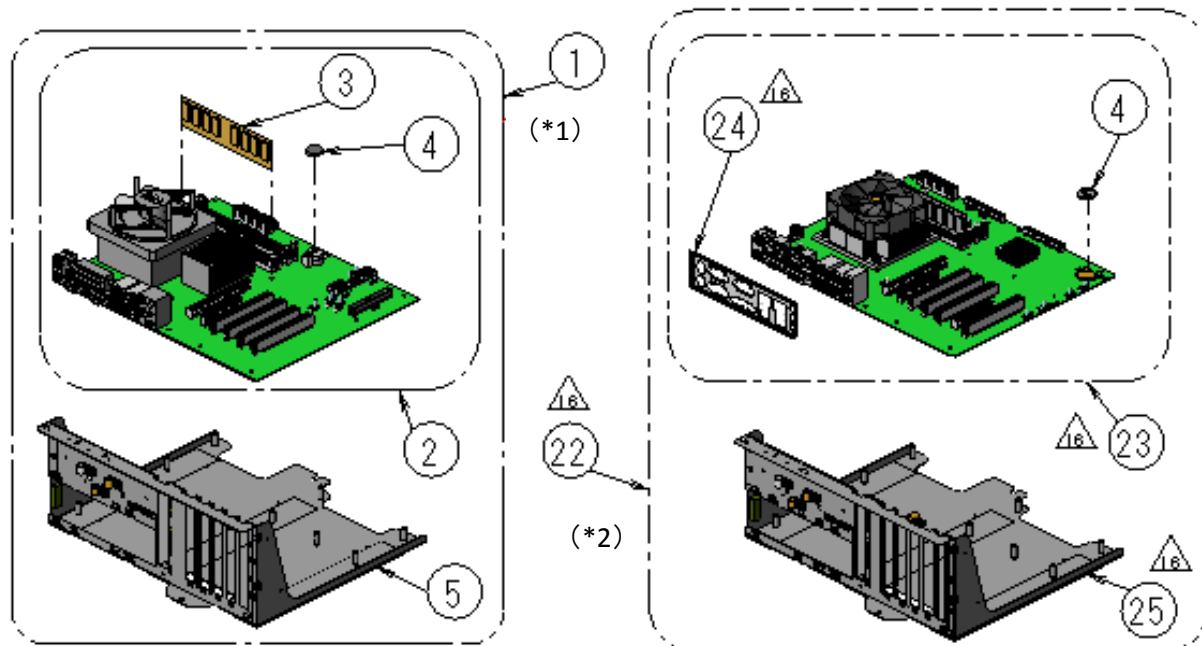
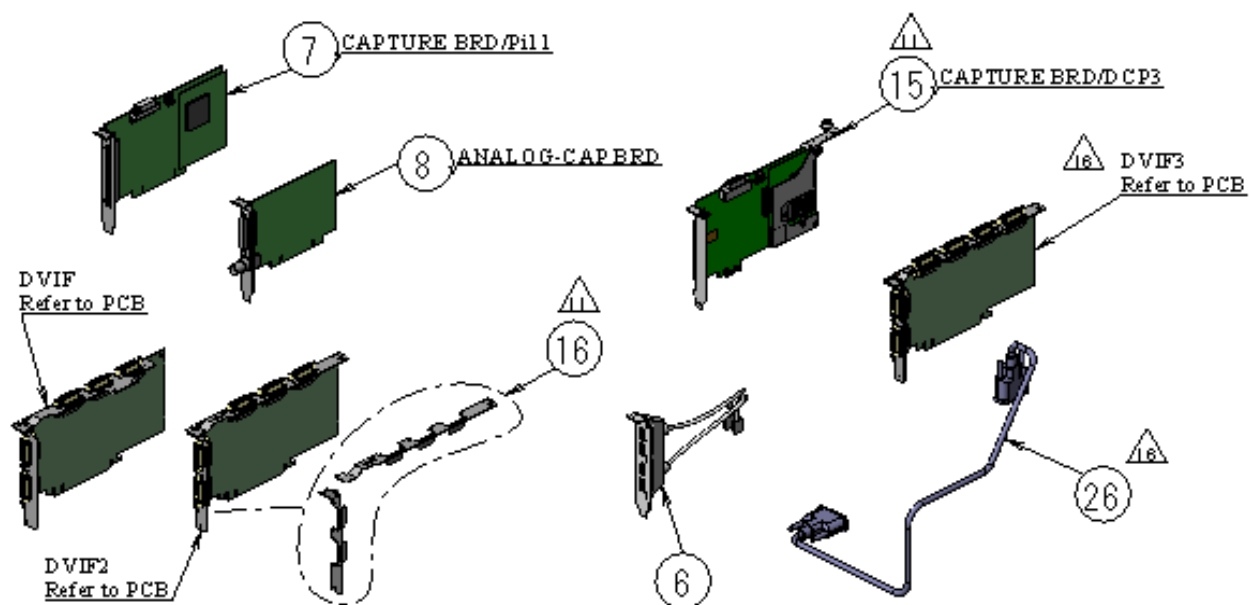
(*6) : パーツ (No.48 "KB FUNC PCB(RC)" and No.49 "KBIF-B(RC)") は、"EZU-RH4 及び EZU-RIF4/5"対応パーツです。

3. KEYBOARD

KEY No.	PARTS No.	PART NAME	QTY	REMARKS
△ 1	7341600A	PANEL UNIT-J	1	JAPAN, without KBIF,TB, LOGO PLATE (*1) (*2)
△ 2	7341600B	PANEL UNIT-E	1	ENGLISH, without KBIF,TB, LOGO PLATE (*1) (*2)
△ 3	7341600C	PANEL UNIT-F	1	FRANCE, without KBIF,TB, LOGO PLATE (*1) (*2)
4	7346126A	KB COVER-J	1	JAPAN (*1)
5	7346126B	KB COVER-E	1	ENGLISH (*1)
6	7346126C	KB COVER-F	1	FRANCE (*1)
7	7346126D	RUBBER KEY SET-J	1	JAPAN
8	7346126E	RUBBER KEY SET-E	1	ENGLISH
9	7346126F	RUBBER KEY SET-F	1	FRANCE
10	7346126G	KEY PLATE SET-J	1	JAPAN
11	7346126H	KEY PLATE SET-E	1	ENGLISH
12	7346126J	KEY PLATE SET-F	1	FRANCE
13	7346126K	KEY CAP SET-1	1	
14	7346126L	KEY CAP SET-2	1	
15	7346126M	PADDLE SET	1	
16	7346126N	VOL KNOB SET	1	
17	7346126P	KB COVER-B	1	
△ 18	7346126Q	KB PCB SET	1	(*2)
19	7346126R	2AXIS ENCODER	5	
20	7346126S	1AXIS ENCODER	4	
21	7346126T	ODM ENCODER	1	
22	7346126U	POWER ENCODER	1	
23	7346127A	KNOB SET J/E	1	JAPAN/ENGLISH
24	7346127B	KNOB SET F	1	FRANCE
25	7346127C	GAIN KNOB	5	
26	7346127D	B-CAP	1	JAPAN/ENGLISH /FRANCE
27	7346127E	CFI-CAP	1	JAPAN/ENGLISH
28	7346127F	PW-CAP	1	JAPAN/ENGLISH
29	7346127G	ELASTO/TDI-CAP	1	JAPAN/ENGLISH
30	7346127H	M-CAP	1	JAPAN/ENGLISH /FRANCE
31	7346127J	CFMI-CAP	1	FRANCE

KEY No.	PARTS No.	PART NAME		QTY	REMARKS	
	32	7346127K	DP-CAP		1	FRANCE
	33	7346127L	DTI-CAP		1	FRANCE
	34	7346127M	KNOB-M		2	
	35	7346127N	KNOB-S		4	
△	36	7346127P	ELASTO-CAP		1	JAPAN/ENGLISH
△	37	7346127Q	TDI-CAP		1	JAPAN/ENGLISH
△	38	7420467A	SLIDE VOLVME/6500		8	
△△	39	7345573A	KBIF		1	(*2) (*3) (*5)
△	40	7346253A	TRACK BALL		1	(*2)
	41	7344203A	LOGO PLATE/PRE		1	(*1)
△△	42	7349161A	KBIF-B		1	(*3) (*5)
△	43	7352833A	TRACK BALL-B		1	
△	44	7341600D	PANEL UNIT2-J		1	JAPAN, without KBIF, TB, LOGO PLATE (*1) (*4)
△	45	7341600E	PANEL UNIT2-E		1	ENGLISH, without KBIF, TB, LOGO PLATE (*1) (*4)
△	46	7341600F	PANEL UNIT2-F		1	FRANCE, without KBIF, TB, LOGO PLATE (*1) (*4)
△	47	7346126V	KB PCB SET2		1	(*4)
△	48	7346126W	KB FUNC PCB(RC)		1	(*4) (*6)
△	49	7349161B	KBIF-B(RC)		1	(*3) (*6)
△	50	7346126Y	KB FUNC PCB		1	RC is not supported (*5)
△	51	7346126Z	KB STC PCB		1	
△	52	7344848A	USB-KBIF CABLE		1	
△△△	53	7341600G	PANEL UNIT2-V		1	JAPAN, FOR ANIMAL, without KBIF, TB, LOGO PLATE (*1) (*4)
△△△	54	7358406A	KB COVER-V		1	JAPAN, FOR ANIMAL (*1)
△△△	55	7358406B	RUBBER KEY SET-V		1	JAPAN, FOR ANIMAL

4. PC UNIT



4. PC UNIT

	KEY No.	PARTS No.	PART NAME		QTY	REMARKS
△16	1	7229326B	PC UNIT		1	(*1)
△16	2	7345627A	PCMB/AM		1	(*1)
△16	3	H719A042	MEMORY /AM		1	(*1)
	4	K641A005	PCMB BATTERY		1	
△16	5	7229326C	PC RACK		1	(*1)
	6	7434065A	USB SLOT PORT		1	
△11 △1	7	7431916A UoG023	CAPTURE BRD/Pi11 EZU-DCP1		1	EZU-DCP1
△1	8	7428204A UoG020	ANALOG-CAP BRD EZU-ACP1		1	
	9	7434066A	HD UNIT		1	
	10	7428283B	DVD-RAM/6500-1		1	~STEP1
△3	11	7436861B	DVD UNIT-2		1	STEP2~
△7		7436861A	DVD UNIT-1			
△3	12	7349024A	CN38 CABLE		1	STEP2~
△7	13	7439471A	LAN-CELL CABLE B		1	
△10	14	7344845A	HD-SATA CABLE		1	
△11	15	7443197A	CAPTURE BRD/DCP3		1	EZU-DCP3
△11	16	7444832A	BRACKET SET/DVIF2		1	
△12	17	7344846A	USB-P1 CABLE		1	
△12	18	7344847A	USB-P2 CABLE		1	
△12	19	7344853A	USB-R1 CABLE		1	
△12	20	7344854A	USB-R2 CABLE		1	
△12	21	7344855A	USB-R3 CABLE		1	
△16	22	AA05752B	PC UNIT-B		1	(*2)
△16	23	AA05750A	PCMB/AM-B		1	(*2)
△16	24	AA06032A	PCMB IO PLATE		1	(*2)
△16	25	AA05752C	PC RACK-B		1	(*2)
△16	26	7365420A	PCMB-DVIF CABLE		1	(*2)
△16	27	7344824A	CN12 CABLE		1	

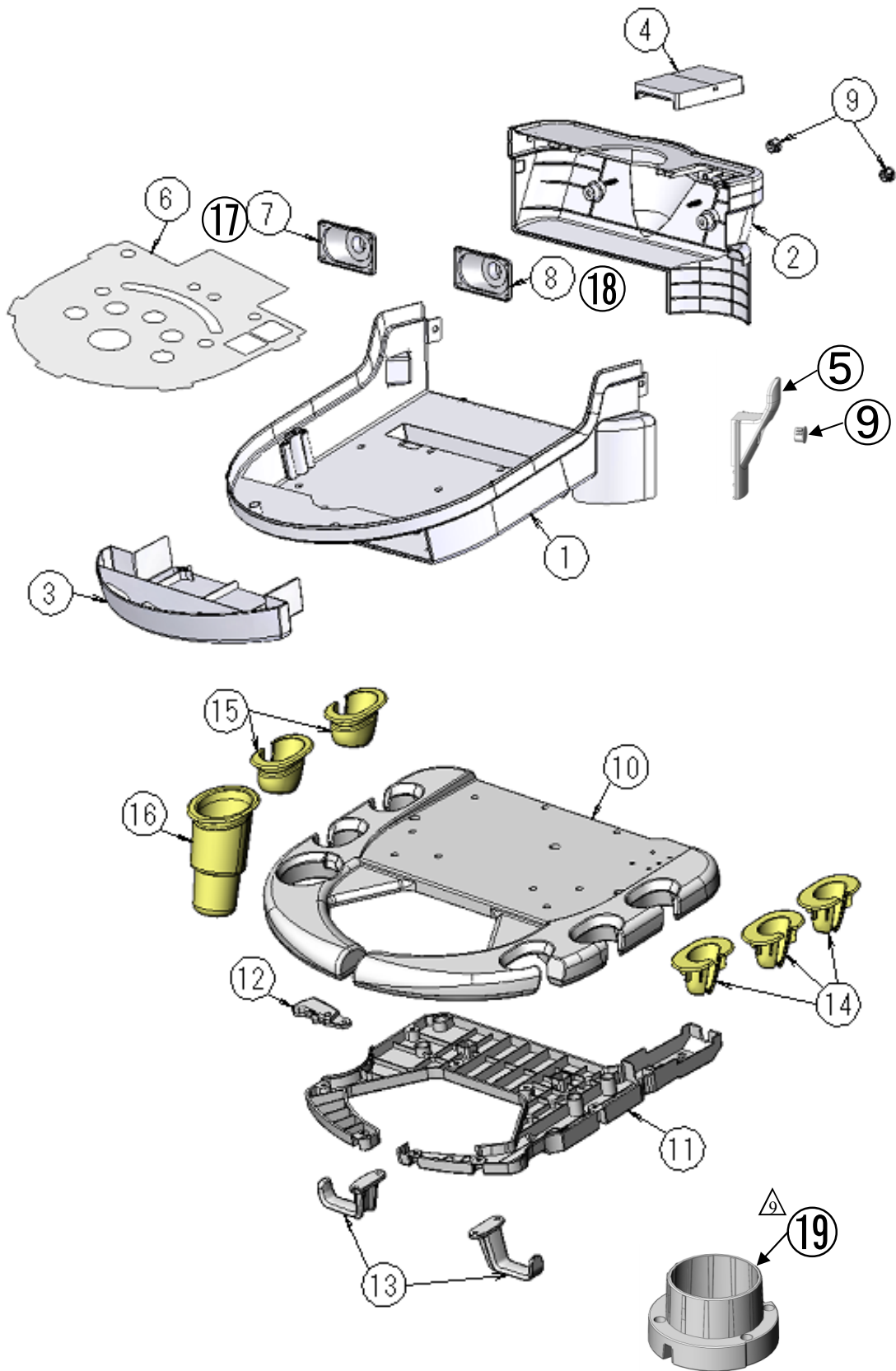
△16 (*1) : Available for the system that the system revision "1X" was not painted in black.

△16 (*2) : Available for the system that the system revision "1X" was painted in black.

△16 (*1) : 装置レビジョン"1X"が塗りつぶされていない装置に適用

△16 (*2) : 装置レビジョン"1X"が塗りつぶされている装置に適用

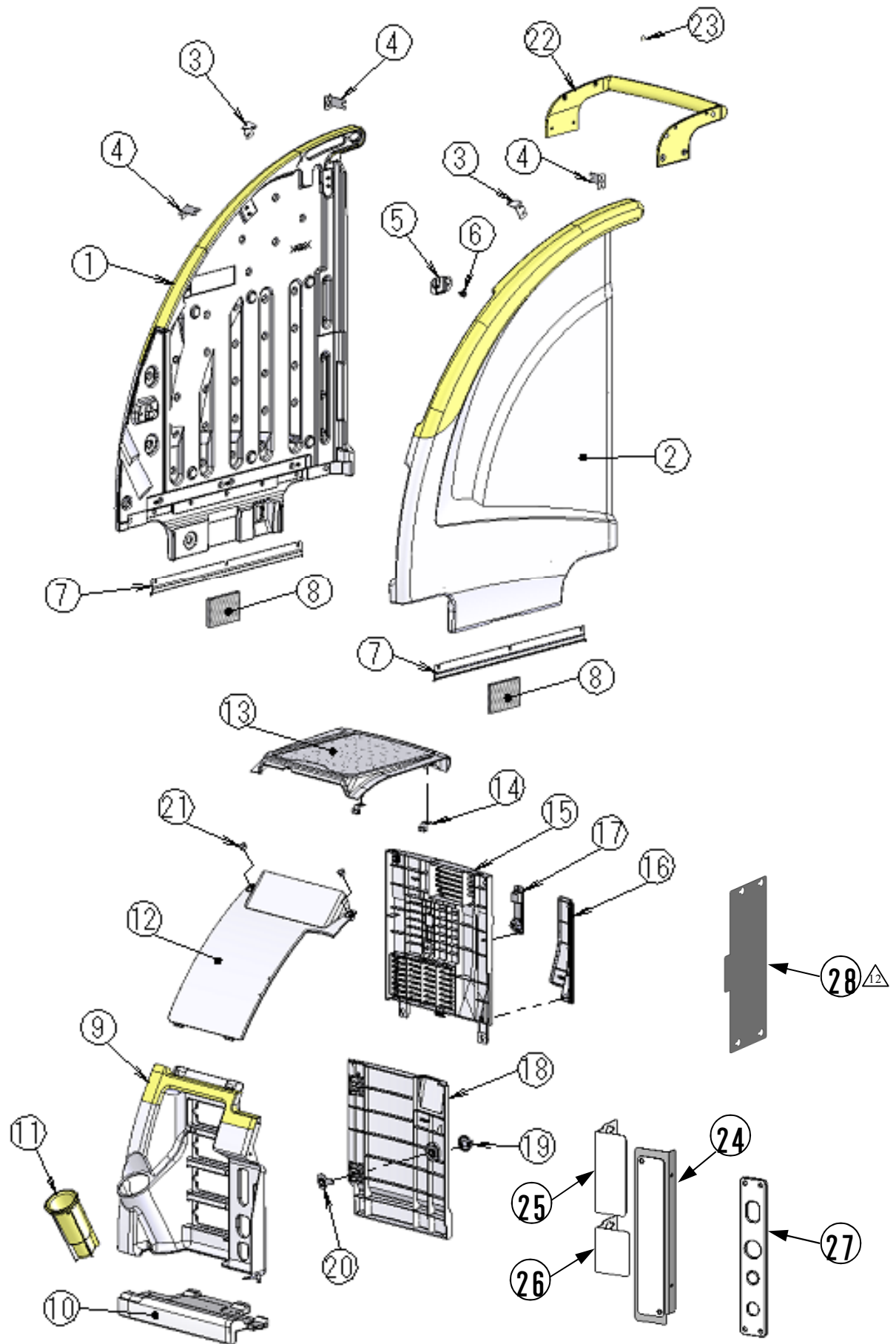
5. PANEL COVER



5. PANEL COVER

KEY No.	PARTS No.	PART NAME		QTY	REMARKS	
	1	7117526A	PANEL COVER-L		1	
	2	7228761A	PANEL COVER-R		1	
	3	7344213A	SUB DM COVER		1	
	4	7344215A	SECURITY COVER		1	
△5	5	7345256A 7344214A	CABLE HOOK/PRE HANGER DM COVER		1	
	6	7229027A	PANEL SHEET		1	
△7	7	7433960A	SPEAKER L		1	~STEP3
△7	8	7433959A	SPEAKER R		1	~STEP3
△5	9	7346162A	SCREW CAP		3	
	10	7117532A	PANEL HANDLE		1	
	11	7228762A	HANDLE COVER		1	
	12	7344217A	FRONT LEVER		1	
	13	7344216A	CABLE HOOK		2	
	14	7344221A	PRB HOLDER R-S		3	
	15	7344220B	PRB HOLDER L-M		2	
	16	7228772A	JELLY HOLDER-P		1	
△7	17	7438660A	SPEAKER L-B		1	STEP3.1~
△7	18	7438659A	SPEAKER R-B		1	STEP3.1~
△9	19	7228774A	LOCK PLATE BASE		1	

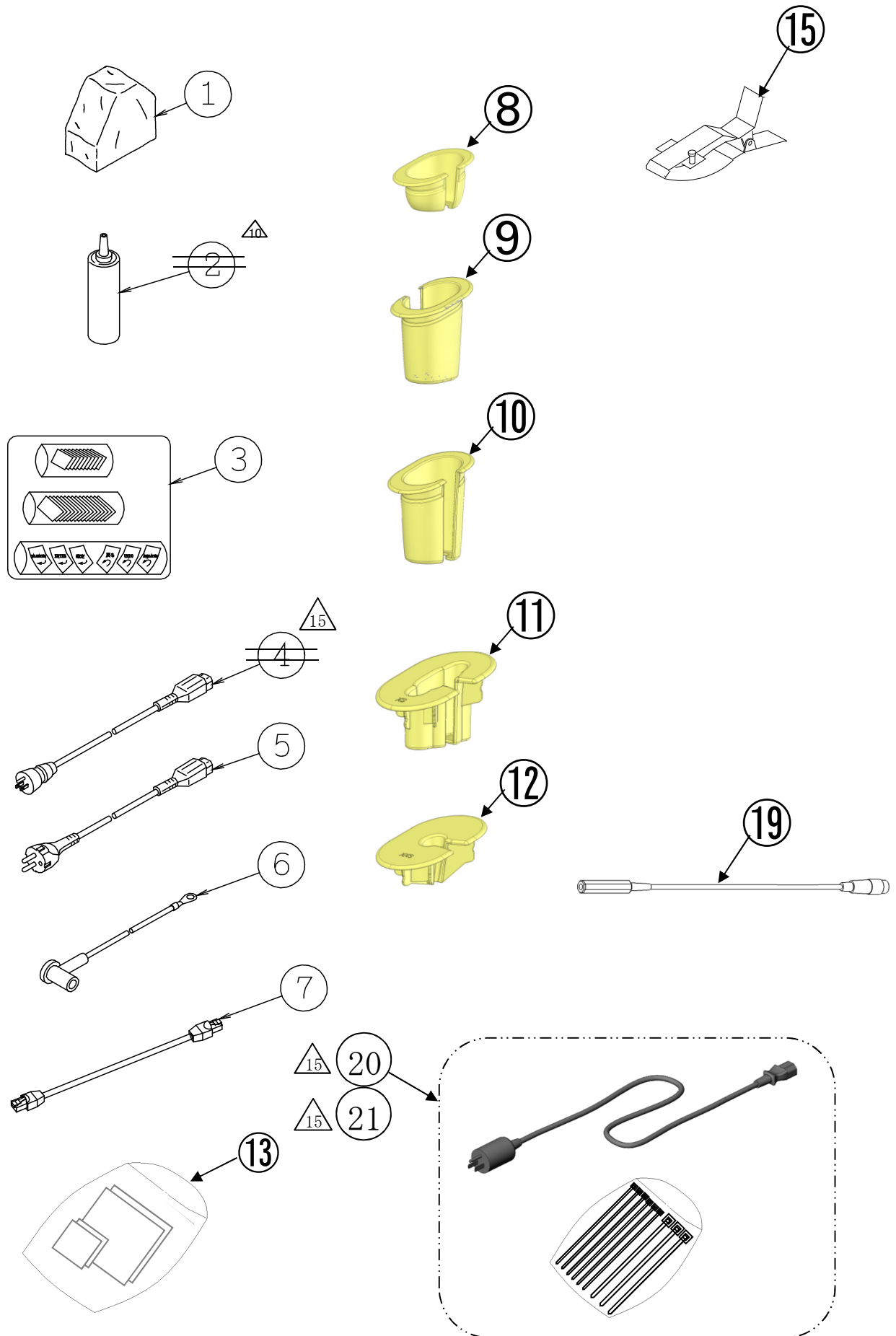
6. MAIN COVER



6. MAIN COVER

KEY No.	PARTS No.	PART NAME		QTY	REMARKS
1	7228777A	SIDE COVER-L/PRE		1	
2	7228778A	SIDE COVER-R/PRE		1	
3	7434238A	COVER BRK-S		2	
4	7434239A	COVER BRK-R		3	
5	7345206A	CLIP HOLDER		1	
6	L937A021	TRIM CLIP		1	
7	7345207A	HOOK-S		2	
8	7434059A	SPONGE-S		2	
9	7117527A	FRONT COVER		1	
10	7228779A	BUMPER		1	
11	7228781A	JELLY HOLDER-B		1	
12	7117528A	TOP COVER-L		1	
13	7117529A	TOP COVER-U		1	
14	7434240A	COVER BRK-U		2	
15	7117530A	REAR COVER-U		1	
16	7228780A	DUCT COVER		1	
17	L931A094	POWER CORD HOOK		1	
18	7117531A	REAR COVER-L		1	
19	L931A093	DOOR HANDLE		1	
20	L931A092	HANDLE STOPPER		1	
21	7346162A	SCREW CAP		6	
22	7228782A	REAR HANDLE		1	
23	7433951A	COVER SHEET		4	
△	24	7345196A	ECG BLIND PLATE	1	
△	25	7434235A	USB BLIND PLATE	1	
△	26	7434236A	CW BLIND PLATE	1	
△	27	7344226A	ECG PANEL	1	
△	28	7345197A	TVIF BLIND PLT/PRE	1	

7. ACCESSORIES

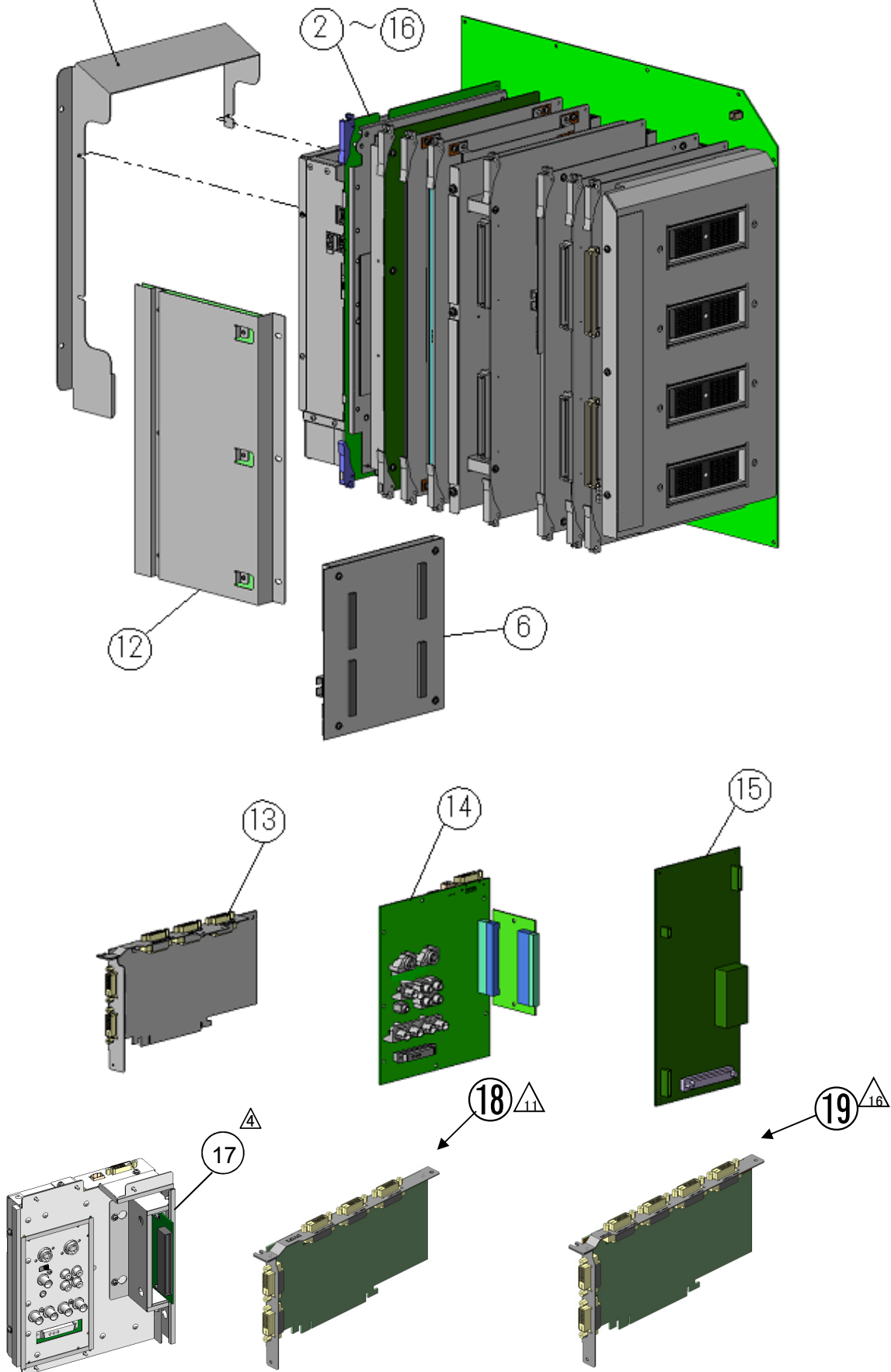


7. ACCESSORIES

	KEY No.	PARTS No.	PART NAME		QTY	REMARKS
	1	13777XXD	DUST COVER		1	
△	2	S2909001	ULTRASOUND JELLY		2	
	3	7344668A	KEY PLT(SUB) SET		1	
	4	E910A037	POWER CORD		1	100-120V
	5	E910A038	POWER CORD/200V		1	200-240V
	6	1477344A	EARTH CORD		1	
	7	E910A217	LAN CORD		1	
△5	8	7344220A 7228773A	PRB HOLDER R-M		1	
△5	9	7228773A 7344220A	PRB HOLDER L-L		1	
△5	10	7228773B	PRB HOLDER R-L		1	
△5	11	7351811A	PRB HOLDER R-XS		1	
△5	12	7351812A	PRB HOLDER R-XXS		1	
△10	13	7428095A	PRINTER VELCRO SET		1	
	14					
	15	J8611101	ECG CLIP		1	EZU-EK28
△5	16	E910A230	ECG ADAPTER CORD		4	EZU-EK28
△5	17	E910A228	ECG CORD(PIN)		4	EZU-EK28
△5	18	E910A229	ECG CORD(CLIP)		4	EZU-EK28
	19	7344669A	DCIN ECG CORD		1	EZU-EK28
△15	20	AA02496A	POWER CORD SET/100V		1	100-120V
△15	21	AA02496B	POWER CORD SET/100V		1	100-120V (For USA)
	22					

8. PCB

·The duct plate does not include it in CELL.
 ·CELLにこのダクト板は含まれていません。



8. PCB

KEY No.	PARTS No.	PART NAME	APPLICABLE Rev. 適用可能Rev.	FLASH DISK necessity (*1) 要否 (*1)	QTY	APPLICABLE S/N (*2) 適用可能 製番 (*2)	REMARKS	
△ △ △ △ △ △ △ △	1	7346156Q	FLASH DISK_Q/PRE	-	-	-		
		7346156N	FLASH DISK_N/PRE					
		7346156G	FLASH DISK_G/PRE					
		7346156A	FLASH DISK_PRE					
		7356085D	FLASH DISK_D					
		7356085E	FLASH DISK_E					
		7356085F	FLASH DISK_F					
		7356085H	FLASH DISK_H					
2	7513657A	MB/PRE	A/*		1			
△ △ △	3	7513616A	PRB/PRE	A/*	✓	~KE14682910, KE14683902, KE14683904 ~KE14493910, KE14494902 ~KE14842906	~STEP0.X	
		7513616B	PRB_B/PRE	B/*	✓	KE14683901, KE14683903, KE14683905, KE15106901~ KE14494901, KE14494903~KE14494910, KE14495901~ KE14842907~KE14842910, KE15300901~	STEP1~	
4	7513629A	TX/PRE	A/*		1			
5	7513630A	CW	A/*	✓	1		EZU-ST8	
6	7513649A	MTDRV	A/*	✓	1		EZU-4D6	
7	7513625A	RX1/PRE	A/*		1			
△ △ △	8	7513612A	DBF1/PRE	A/*	✓	~KE14682910, KE14683902, KE14683904 ~KE14493910, KE14494902 ~KE14842906	~STEP0.X	
		7513612B	DBF_B/PRE	B/*	✓	KE14683901, KE14683903, KE14683905, KE15106901~ KE14494901, KE14494903~KE14494910, KE14495901~ KE14842907~KE14842910, KE15300901~	STEP1~	
△ △	9	7513640A	CONT	A/*	✓	~KE17313001, ~KE10349007, ~KE15375903, ~KE10352010, ~KE10584002,	~STEP2	
		7513734B	CONT-B	C/*	✓	1		
10	7345545A	DC-DC/824K	A/*		1			
11	7345930A	CELL	A/*	✓	1			
12	7513641A	JMP/PRE	A/*		1			
13	7513654A	DVIF	A/*		1			
△ △	14	7513656A	TVIF/VIF1	A/*, B/*	✓	1		EZU-ViF1
		7513632A	BIO/EK	A/*	✓	1		EZU-EK28
15	7513652A	MTBP	A/*		1		EZU-4D6	
△ △	16	7229319A	TVIF UNIT/VIF1	B/*, C/*	✓	1		EZU-ViF1
△ △	17	7229319A	TVIF UNIT/VIF1	B/*, C/*	✓	1		EZU-ViF1
△ △	18	7514890A	DVIF2	B/*		1	KE15659201~, KE15014201~, after KE13242101~, KE15861201~	V03-60~
△ △	19	7515673A	DVIF3	C/*		1		

(*1) : Please order No.1 "FLASH DISK PRE" with ordering a PCB. And, use the latest revision.

(*2) : This means S/N when shipped by the factory. It doesn't agree to this table if you change the PCBs after shipping.

(*3) : This parts went out of production. Please place an order for the compatible other parts, if there are no stocks in the factory.

(*4) : No.18 DVIF2 is what changed No.13 DVIF to attach EZU-DCP3, and there is attachment compatibility with EZU-DCP1/DCP3. And, DVIF is no attachment compatibility with EZU-DCP3. Available for the system that the system revision "1X" was not painted in black.

(*5) : Available for the system that the system revision "1X" was painted in black.

(*1) : ✓の場合は、基板手配時にNo.1 "FLASH DISK PRE" も一緒に手配して下さい。また必ず最新のFLASH DISKを使用して下さい。

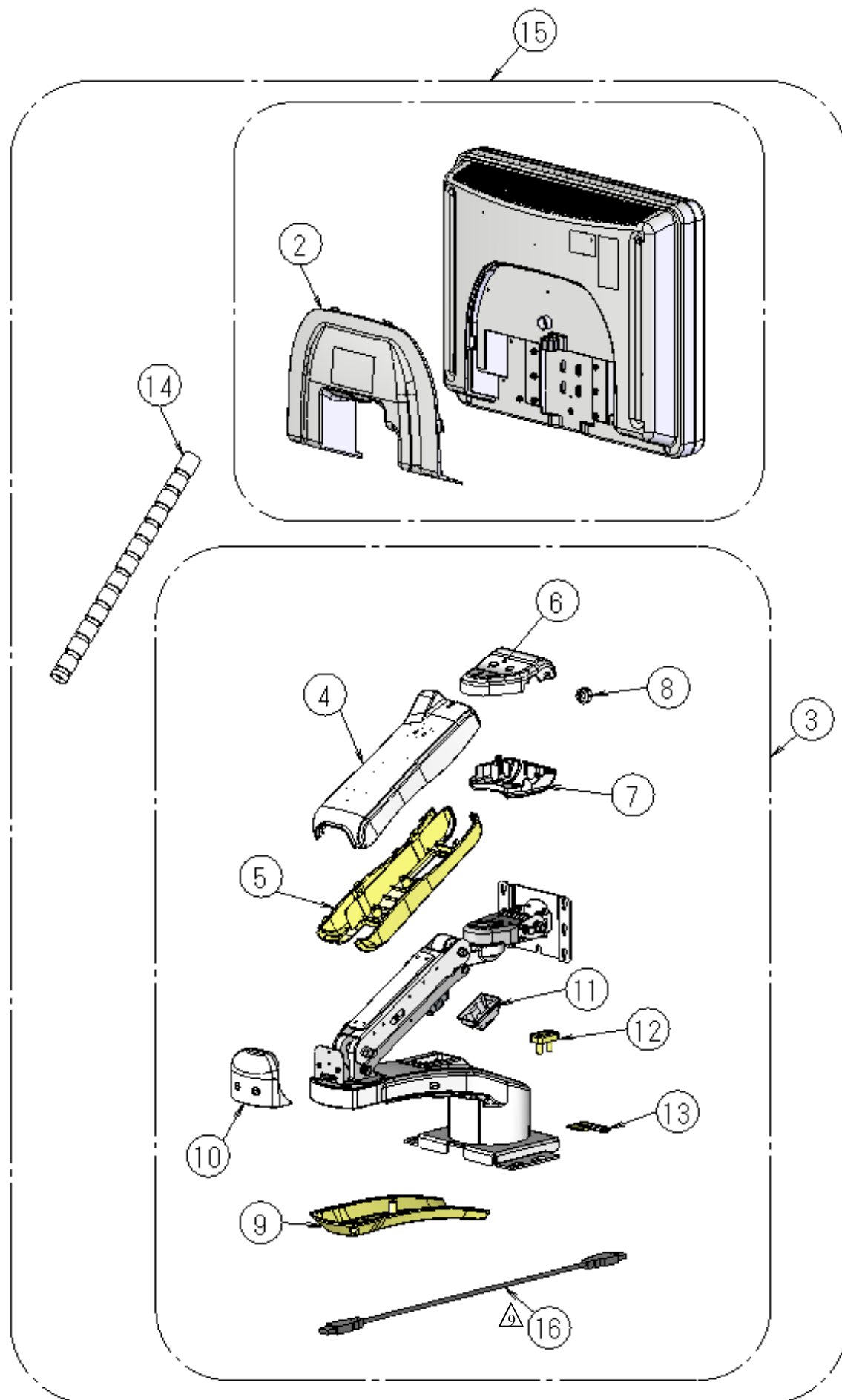
(*2) : 工場出荷時の製番を表します。出荷後にバージョンアップ、基板交換などをした場合はこの表と一致しません。

(*3) : このパーツは生産中止になりました。もし、工場に在庫がない場合は、互換性のある別パーツを手配ください。

(*4) : No.18 DVIF2は、EZU-DCP3取り付け用に No.13 DVIFを変更したもので、EZU-DCP1/DCP3との取り付け互換はありますが、DVIFはEZU-DCP3との取り付け互換はありません。装置レビジョン"1X"が塗りつぶされていない装置に適用。

(*5) : 装置レビジョン"1X"が塗りつぶされている装置に適用

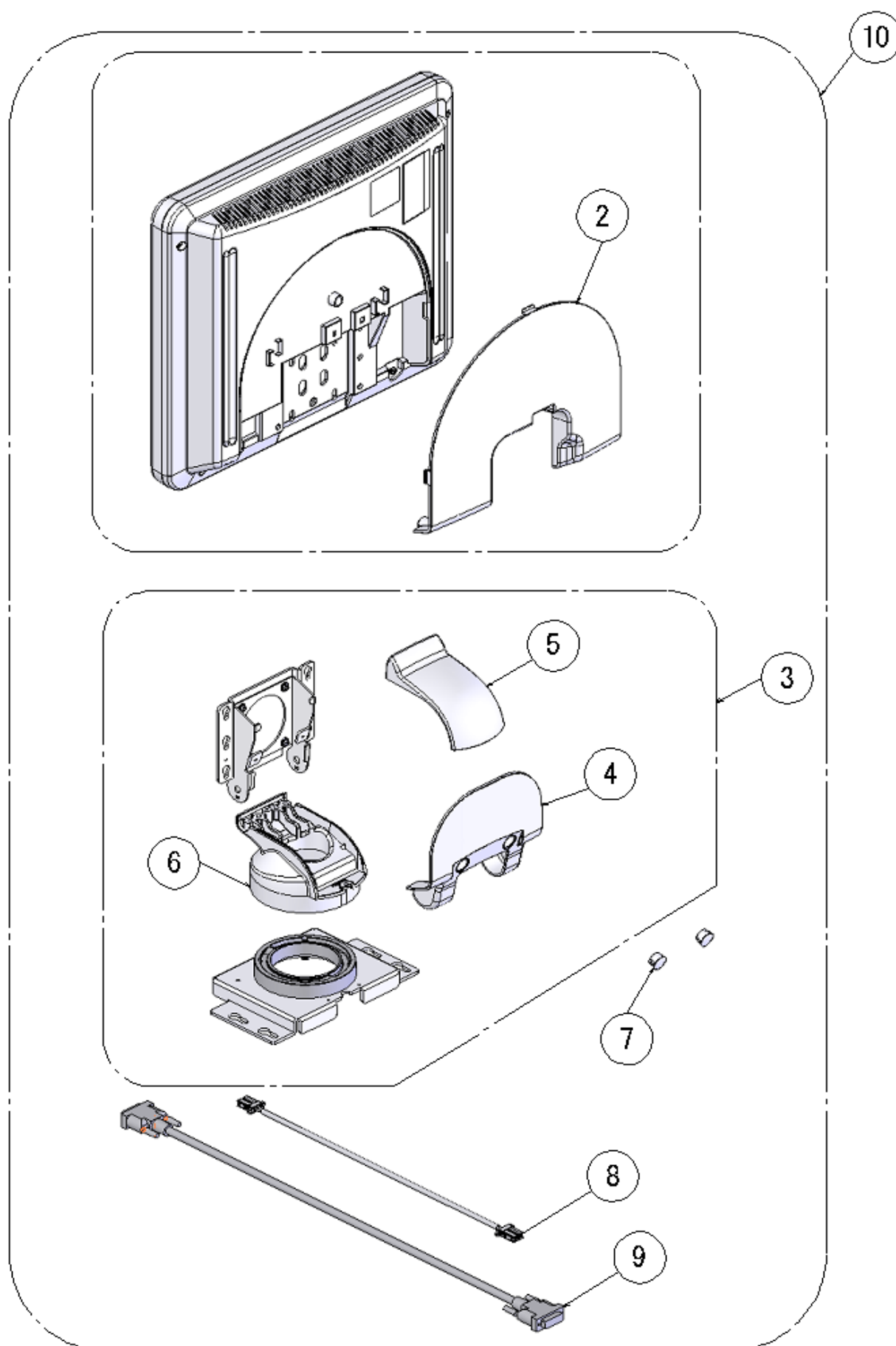
9. MONITOR (EZU-MT28-S1)



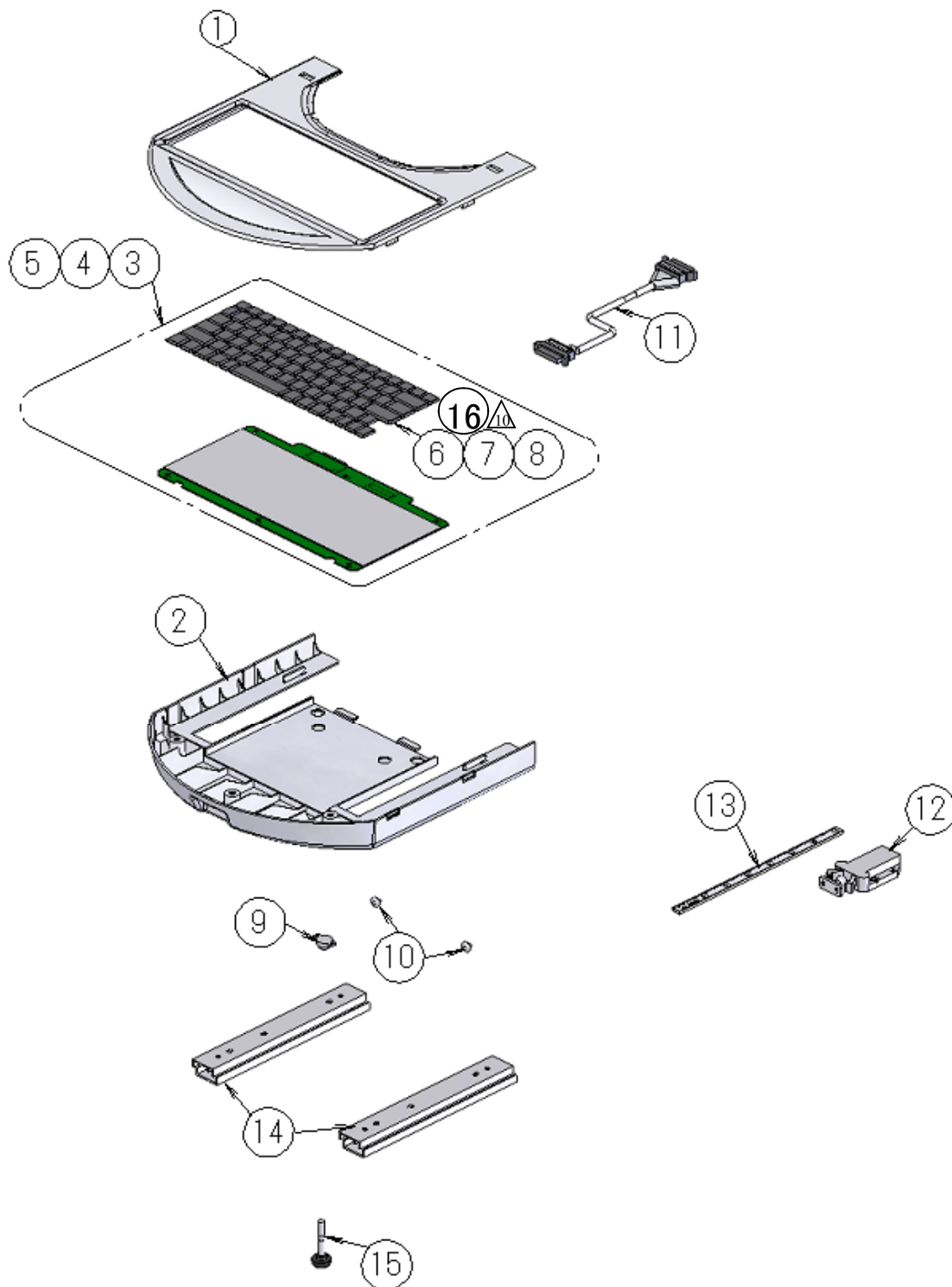
9. MONITOR (EZU-MT28-S1)

KEY No.	PARTS No.	PART NAME		QTY	REMARKS
△	1	7344666A	LCD MONITOR/MT28	1	
	2	7116809B	CABLE COVER/MT28	1	
	3	7344667A	LCD ARM SET/MT28	1	
	4	7340937B	ARM T-COVER/MT28	1	
	5	7340936B	ARM TB-COVER/MT28	1	
	6	7340939B	HEAD T-COVER/MT28	1	
	7	7340940B	HEAD B-COVER/MT28	1	
	8	7340941B	HEAD BUTTON/MT28	1	
	9	7340935B	ARM B-COVER/MT28	1	
	10	7340938B	JOINT COVER/MT28	1	
	11	7340954A	HOOK COVER/MT27	1	
	12	7340949B	LOCK PLATE/MT28	1	
	13	7340946B	ARM BUTTON/MT28	1	
△	14	7435868A	CABLE TUBE/MT28	1	
△	15	UOG015XX 7229161A	EZU-MT28-S1	1	
△	16	7353494A	USB-LCD CABLE	1	

10. MONITOR (EZU-MT29-S1)



11. EZU-AK1N/AK1E/AK1F/AK1V

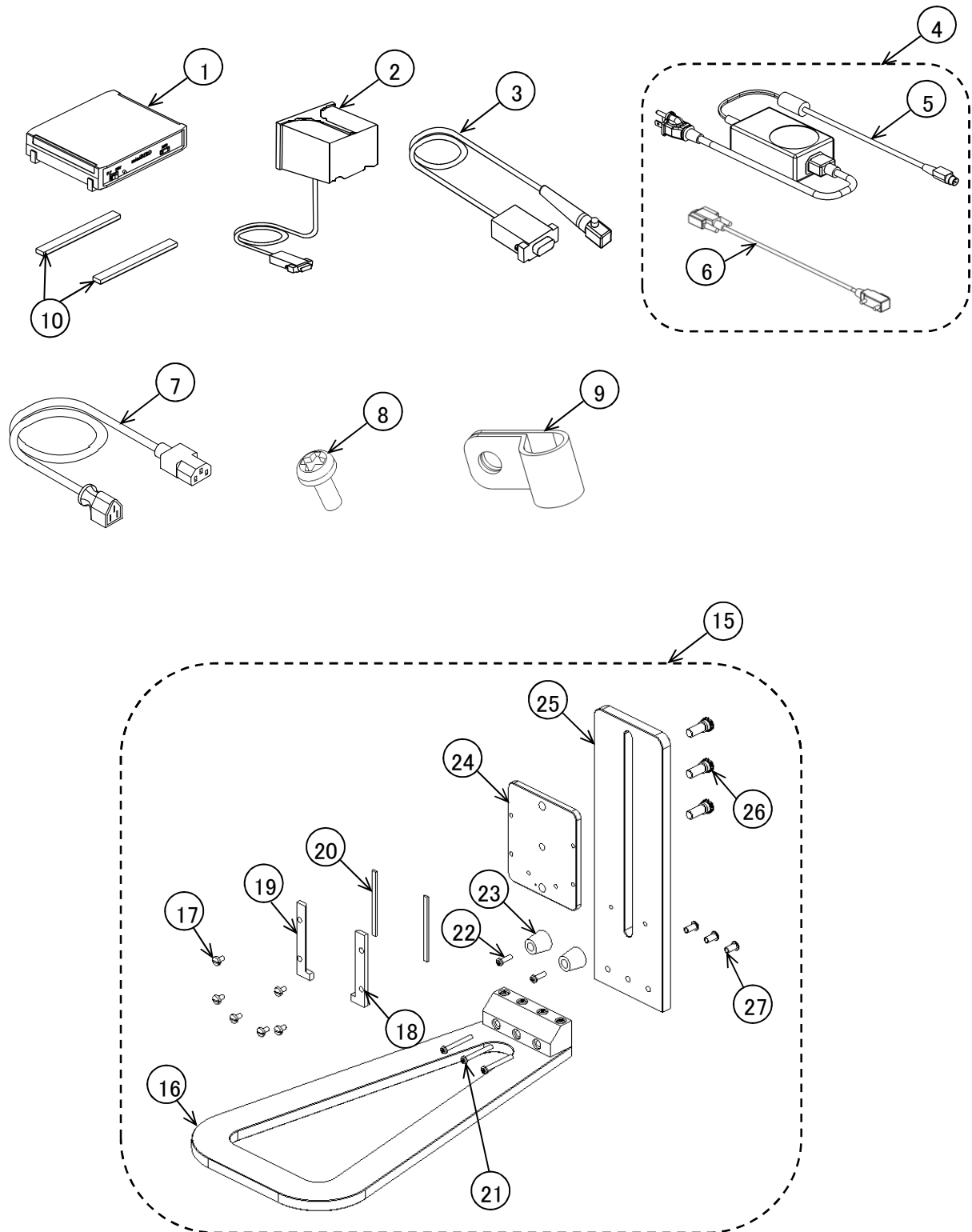


11. EZU-AK1N/AK1E/AK1F

KEY No.	PARTS No.	PART NAME		QTY	REMARKS
1	7228775A	SUB KEY COVER-T		1	
2	7228776A	SUB KEY COVER-B		1	
3	7345617A	SUB KEY-J		1	JAPAN/AK1N
4	7345617B	SUB KEY-E		1	ENGLISH/AK1E
5	7345617C	SUB KEY-F		1	FRANCE/AK1F
6	7346153A	SUB KEY CAP SET-J		1	JAPAN/AK1N
7	7346153B	SUB KEY CAP SET-E		1	ENGLISH/AK1E
8	7346153C	SUB KEY CAP SET-F		1	FRANCE/AK1F
9	L978A013	HG DUMPER		1	
10	F990A020	CUSHION RUBBER		2	
11	7344835A	SUB KEY CABLE		1	
12	L9370225	ONE-TOUCH CATCH		1	
13	7344224A	SUB KEY RAIL		1	
14	L973A008	SLIDE RAIL		2	
15	L931A095	LOCK SCREW		1	
16	7346153D	SUB KEY CAP SET-V		1	JAPAN, FOR ANIMAL /AK1V



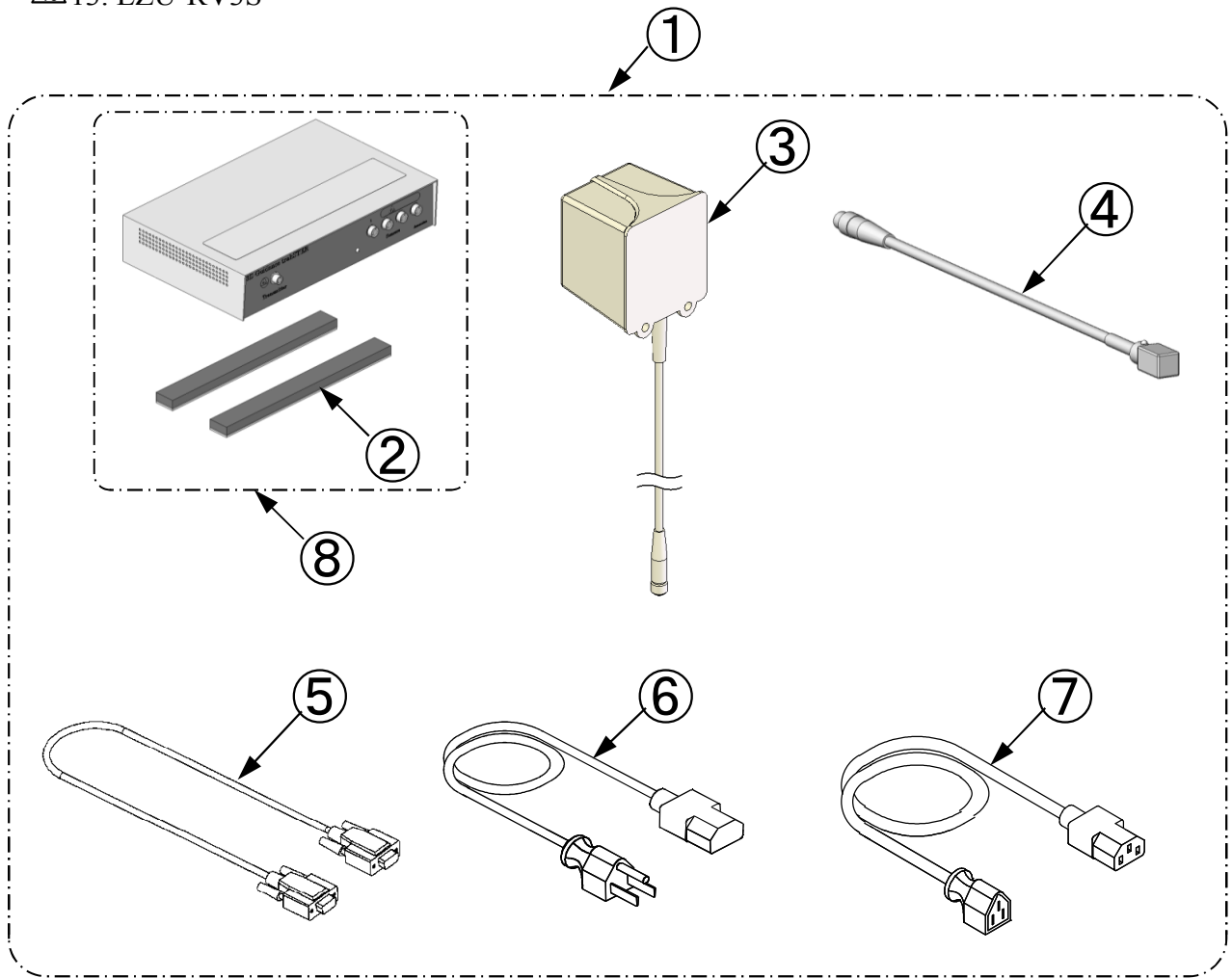
12. EZU-RV2S



12. EZU-RV2S

KEY NO.	PARTS NO.	PART NAME		QTY	REMARKS
1	7422198A	MINI BIRD/RV2S		1	
2	7332384A	TRANSMITTER/RV2S		1	
3	7422199A	SENSOR/RV2S		1	
4	7345927A	ADAP-232C SET/RV2S		1	with 100V CABLE
5	7422201A	AC ADAPTER/RV2S		1	with 100V CABLE
6	7344861A	232C CABLE/RV2S		1	
7	7422765A	POWER CABLE/RV2S		1	230V
8	M549A009	M4x10 SCREW(RENY)		1	
9	L9751401	CRAMP NK-4N		1	
10	7433953A	RVS SPACER		2	
11					
12					
13					
14					
15	7511281A	STAND UNIT/RV2S		1	
16	7321397A	STAND BASE/RV2S		1	
17	7418406A	NYLON SCREW/RV2S		6	
18	7336202A	STAND BLOCK R/RV2S		1	
19	7336203A	STAND BLOCK L/RV2S		1	
20	7336204A	CUSHION PLATE/RV2S		2	
21	M5440650	SCREW L=50		3	
22	M5440620	SCREW L=20		2	
23	G1540204	STAND BUMPER/RV2S		2	
△ 24	7336201A 7321396A	STAND PLT/RV2S-A STAND PLT/RV2S		1	
25	7321395A	STAND SUP/RV2S		1	
26	7418222A	THUMB SCREW/RV2S		3	
27	7418221A	SCREW NUT/RV2S		3	

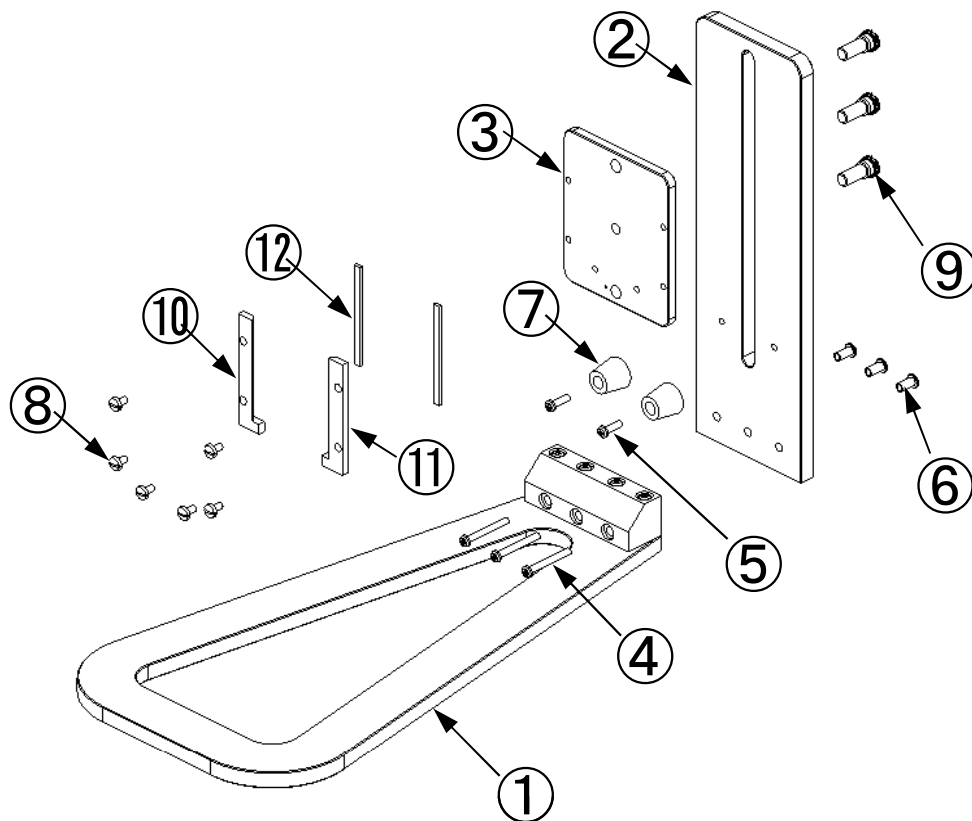
13. EZU-RV3S



△ 13. EZU-RV3S

KEY NO.	PARTS NO.	PART NAME		QTY	REMARKS
1	UoG130XX	EZU-RV3S		1	
2	7433953A	RVS SPACER		2	
3	7439856A	TRANSMITTER/RV3S		1	
4	7439857A	SENSOR/RV3S		1	
5	7439859A	232C CABLE/RV3S		1	
6	7439858A	AC CODE/RV3S		1	100V
7	7422765A	POWER CABLE/RV2S		1	230V
△ 8	7353246A	TRACKSTAR/RV3S		1	

△ 14. EZU-RVL1

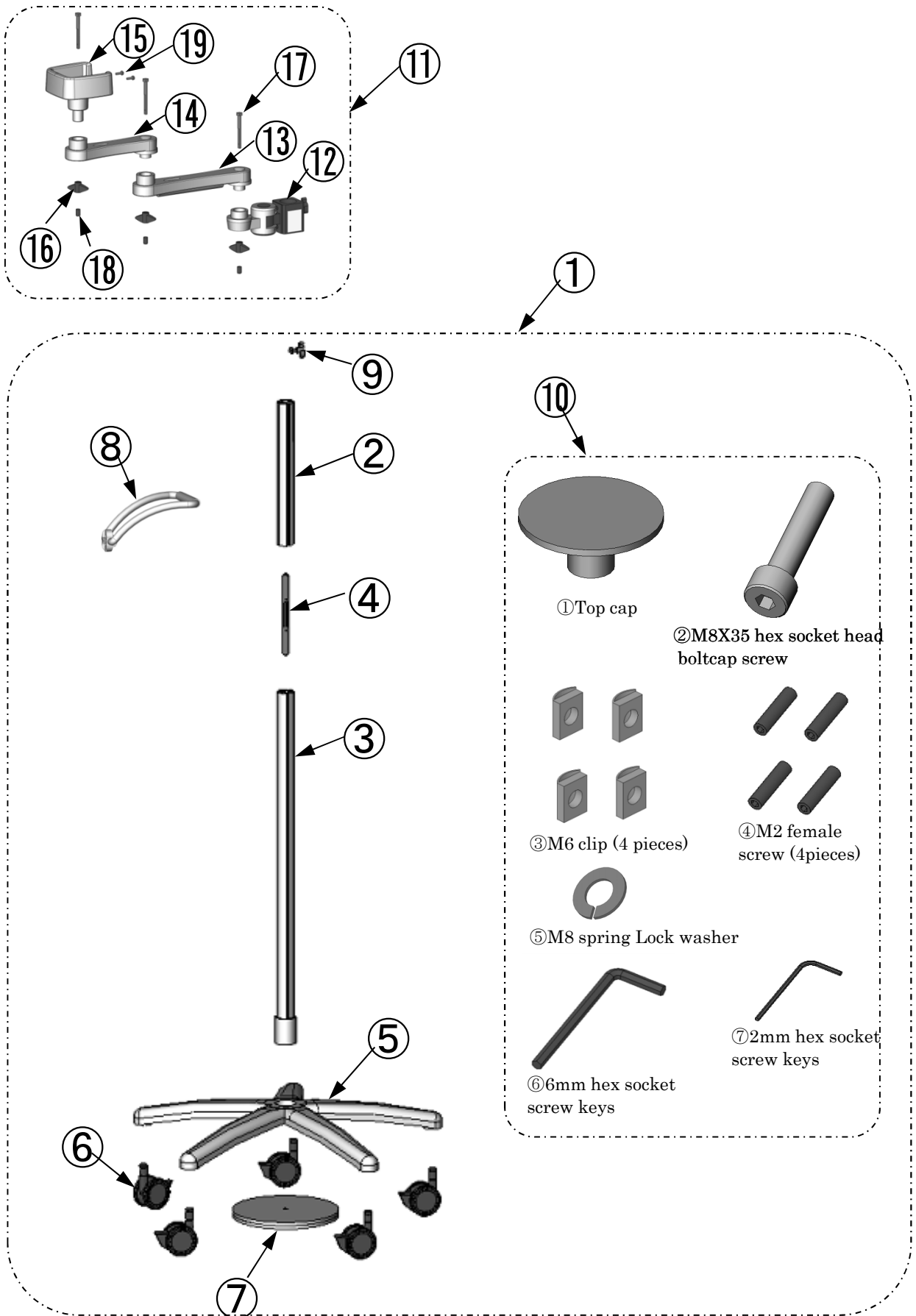


14. EZU-RVL1



KEY NO.	PARTS NO.	PART NAME		QTY	REMARKS
1	7321397A	STAND BASE/RV2S		1	
2	7321395A	STAND SUP/RV2S		1	
3	7336201A	STAND PLT/RV2S-A		1	
4	M5440650	SCREW L=50		3	
5	M5440620	SCREW L=20		2	
6	7418221A	SCREW NUT/RV2S		3	
7	G1540204	STAND BUMPER/RV2S		2	
8	7418406A	NYLON SCREW/RV2S		6	
9	7418222A	THUMB SCREW/RV2S		3	
10	7336203A	STAND BLOCK L/RV2S		1	
11	7336202A	STAND BLOCK R/RV2S		1	
12	7336204A	CUSHION PLATE/RV2S		2	

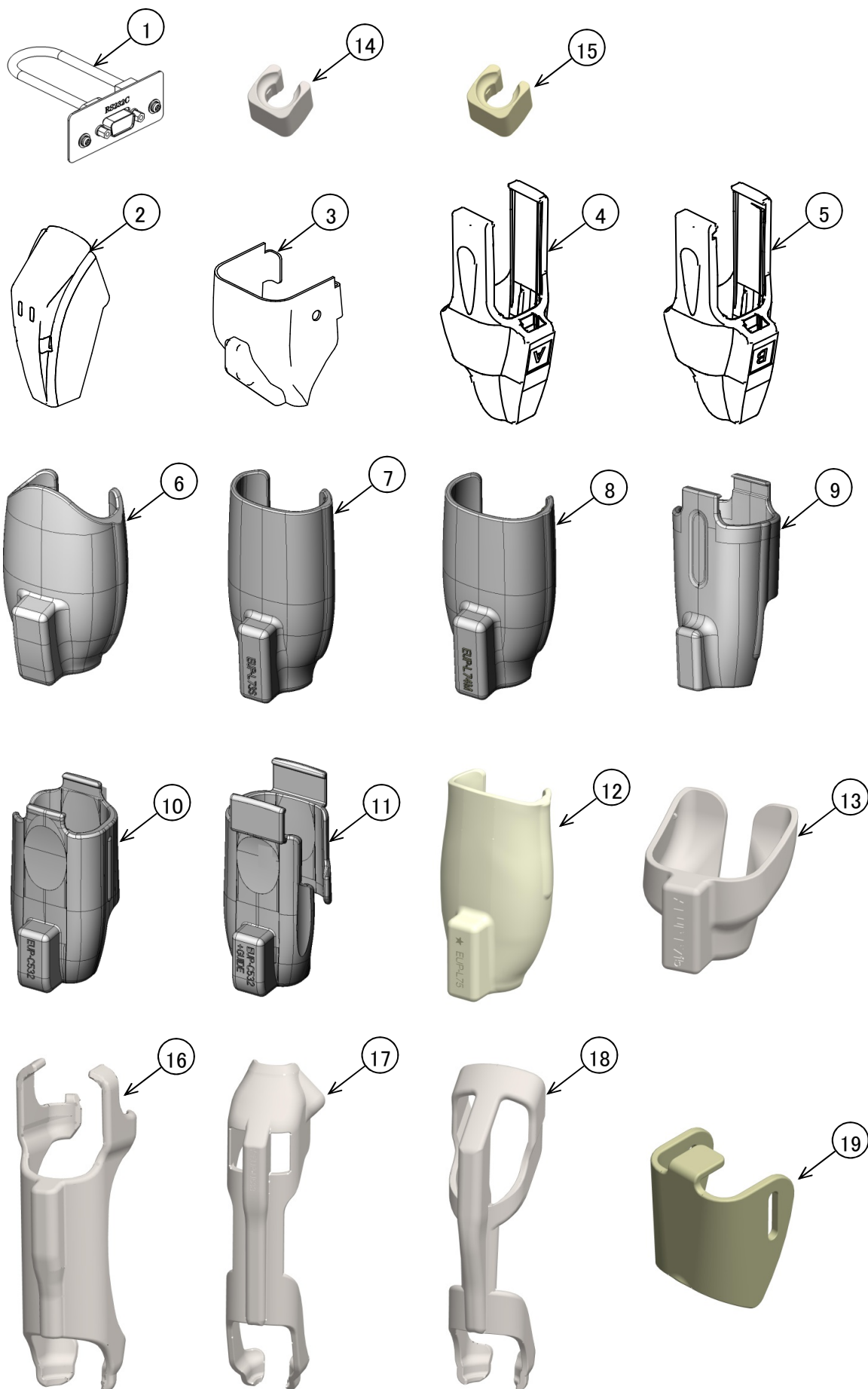
△ 15. EZU-RVF1

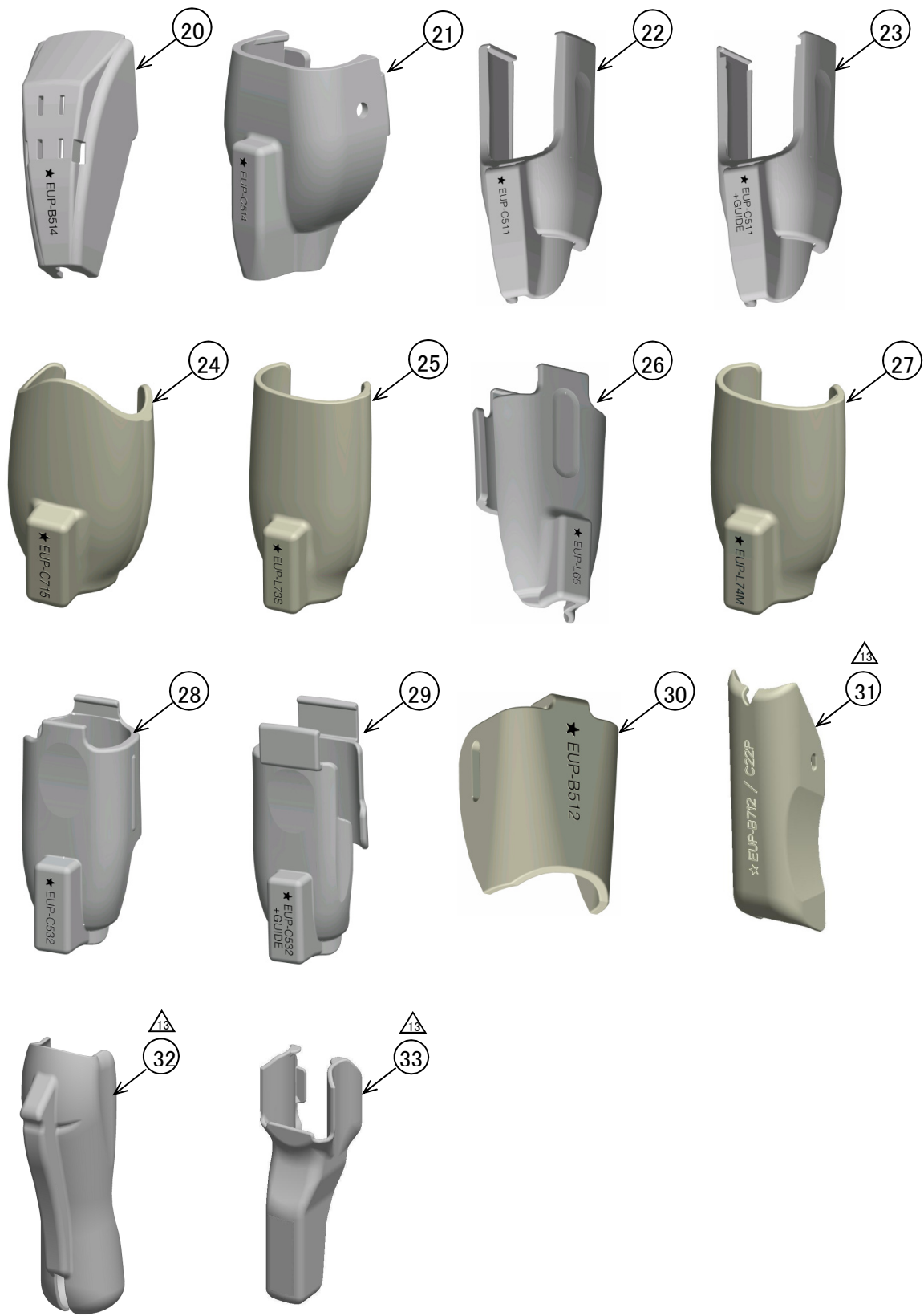


△ 15. EZU-RVF1

KEY NO.	PARTS NO.	PART NAME		QTY	REMARKS
1	7353309A	ST-SET/RVF1		1	
2	7439909A	ST-POLE S/RVF1		1	
3	7439910A	ST-POLE L/RVF1		1	
4	7439911A	ST-ADJ-BAR/RVF1		1	
5	7439912A	ST-BASE/RVF1		1	
6	7439913A	ST-CASTER/RVF1		5	
7	7439914A	ST-WEIGHT/RVF1		1	
8	7439915A	ST-HANDLE/RVF1		1	
9	7439916A	ST-STP-KNOB/RVF1		1	
10	7439917A	ST-ACC-SET/RVF1		1	
11	7353310A	ARM UNIT/RVF1		1	
12	7439918A	ARM SLIDE UNIT/RVF1		1	
13	7439920A	ARM JOINT L/RVF1		1	
14	7439921A	ARM JOINT S/RVF1		1	
15	7439922A	SENSOR BOX/RVF1		1	
16	7439924A	ARM JOINT KNOB/RVF1		3	
17	7439923A	ARM JOINT SCREW/RVF1		3	
18	G139A030	INSULATION CAP/RVF1		3	
19	M549A046	PC SCREW M6X15		2	

16. EZU-RV6





16. EZU-RV6

KEY NO.	PARTS NO.	PART NAME		QTY	REMARKS	
	1	7434724A	232C UNIT		1	
	2	7220529A	ATTACHMENT(B514) ^(*1)		1	
⑤	3	7326730A	ATTACHMENT(C514) ^(*1)		1	For EUP-C514 / EUP-C516 EUP-C516 : Not applicable on USA version
⑤	4	7331471A	ATTACHMENT A(C511) ^(*1)		1	EUP-C511 : Not applicable on USA version
⑤	5	7331472A	ATTACHMENT B(C511-G) ^(*1)		1	EUP-C511 : Not applicable on USA version
	6	7336337A	ATTACHMENT(C715) ^(*1)		1	
	7	7336341A	ATTACHMENT(L73S) ^(*1)		1	
	8	7339083A	ATTACHMENT(L74M) ^(*1)		1	
	9	7340516A	ATTACHMENT(L65) ^(*1)		1	
	10	7345346A	ATTACHMENT (C532) ^(*1)		1	
	11	7345347A	ATTACHMENT (C532-G) ^(*1)		1	
⑤	12	7347816A	ATTACHMENT(L75) ^(*3)		1	
⑤ ⑦	13	7231753A	ATTACHMENT(B715) ^(*2)		1	EUP-B715 : Not applicable on USA version
⑤	14	7436413A	ATTACHMENT SPACER		1	
⑤	15	7436413B	ATTACHMENT SPACER		1	
⑤	16	7230361A	ATTACHMENT(CC531) ^(*2)		1	
⑤	17	7230362A	ATTACHMENT(U533) ^(*2)		1	
⑤	18	7230363A	ATTACHMENT(V53W) ^(*2)		1	
⑤	19	7224758A	ATTACHMENT(B512) ^(*1)		1	

	KEY NO.	PARTS NO.	PART NAME		QTY	REMARKS
△7	20	7231091A	ATTACHMENT MT (B514) ^(*2)		1	
△7	21	7349961A	ATTACHMENT MT (C514) ^(*2)		1	For EUP-C514 / EUP-C516 EUP-C516 : Not applicable on USA version
△7	22	7231134A	ATTACHMENT MT (C511) ^(*2)		1	EUP-C511 : Not applicable on USA version
△7	23	7231135A	ATTACHMENT MT (C511-G) ^(*2)		1	EUP-C511 : Not applicable on USA version
△7	24	7349293A	ATTACHMENT MT (C715) ^(*3)		1	
△7	25	7349172A	ATTACHMENT MT (L73S) ^(*3)		1	
△7	26	7349294A	ATTACHMENT MT (L74M) ^(*3)		1	
△7	27	7349818A	ATTACHMENT MT (L65) ^(*2)		1	
△7	28	7349816A	ATTACHMENT MT (C532) ^(*2)		1	
△7	29	7349817A	ATTACHMENT MT (C532-G) ^(*2)		1	
△7	30	7231184A	ATTACHMENT MT (B512) ^(*3)		1	
△13	31	7233068A	ATTACHMENT MT (B712) ^(*3)		1	
△13	32	7235054A	ATTACHMENT MT (V73W) ^(*2)		1	
△13	33	7361700A	ATTACHMENT MT (O732T) ^(*2)		1	

(*1) : This parts went out of production.

Please place an order for the compatible other parts, if there are no stocks in the factory.

(*2) : Please order the spacer of No.14 together.

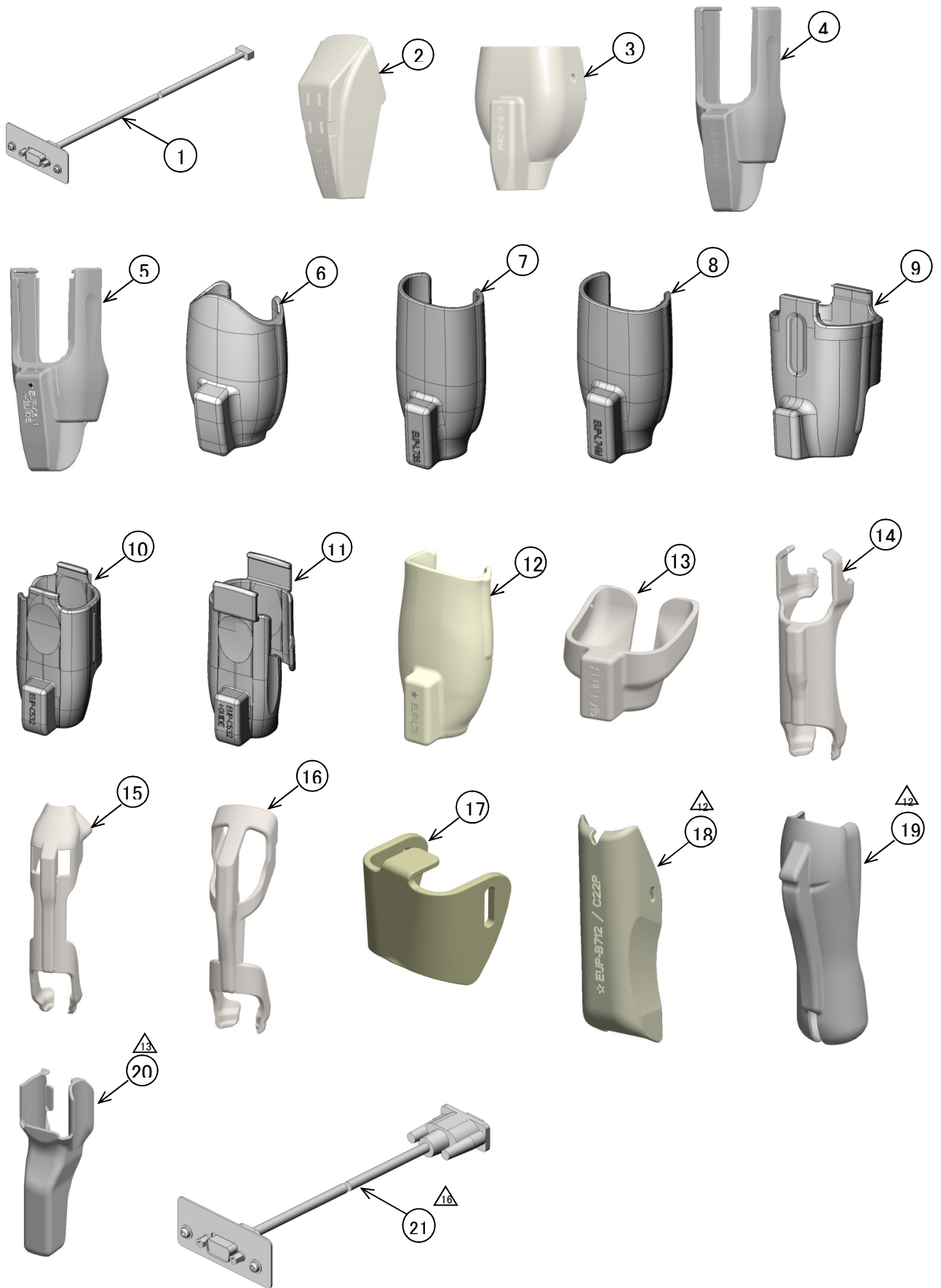
(*3) : Please order the spacer of No.15 together.

(*1) : このパーツは生産中止になりました。もし、工場に在庫がない場合は、互換性のある別パーツを手配ください。

(*2) : No.14のスペーサも一緒に手配ください。

(*3) : No.15のスペーサも一緒に手配ください。

△10 17 EZU-RV8



△10 17. EZU-RV8

KEY NO.	PARTS NO.	PART NAME		QTY	REMARKS
1	7434724A	232C UNIT		1	(*1)
2	7231091A	ATTACHMENT MT (B514)		1	
3	7349961A	ATTACHMENT MT (C514)		1	
4	7231134A	ATTACHMENT MT (C511)		1	
5	7231135A	ATTACHMENT MT (C511-G)		1	
6	7349293A	ATTACHMENT MT (C715)		1	
7	7349172A	ATTACHMENT MT (L73S)		1	
8	7349294A	ATTACHMENT MT (L74M)		1	
9	7349818A	ATTACHMENT MT (L65)		1	
10	7349816A	ATTACHMENT MT (C532)		1	
11	7349817A	ATTACHMENT MT (C532-G)		1	
12	7347816A	ATTACHMENT(L75)		1	
13	7231753A	ATTACHMENT(B715)		1	
14	7230361A	ATTACHMENT(CC531)		1	
15	7230362A	ATTACHMENT(U533)		1	
16	7230363A	ATTACHMENT(V53W)		1	
17	7231184A	ATTACHMENT MT (B512)		1	
△12	7233068A	ATTACHMENT MT (B712)		1	
△12	7235054A	ATTACHMENT MT (V73W)		1	
△13	7361700A	ATTACHMENT (O732T)		1	
△16	7447542A	232C UNIT-B		1	(*2)

△16 (*1) : Available for the system that the system revision "1X" was not painted in black.

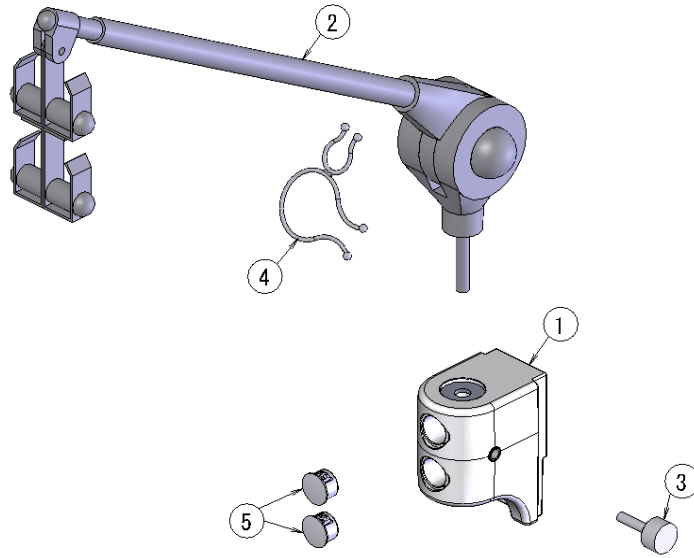
△16 (*2) : Available for the system that the system revision "1X" was painted in black.

△16 (*1) : 装置レビジョン"1X"が塗りつぶされていない装置に適用

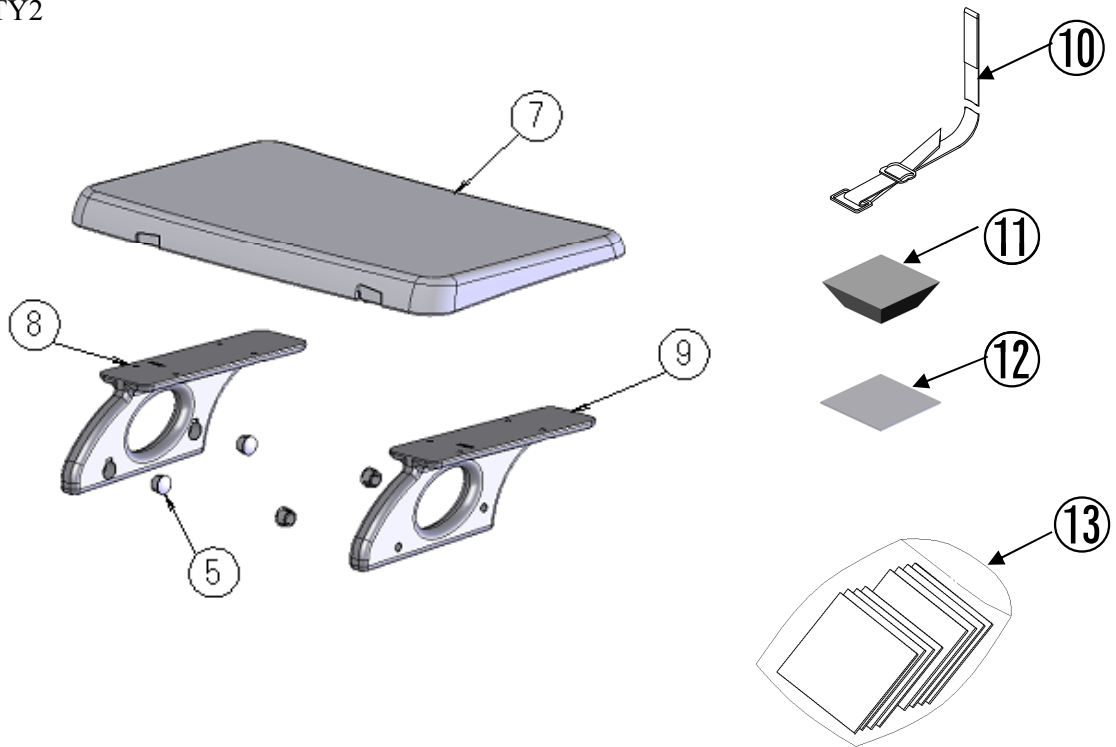
△16 (*2) : 装置レビジョン"1X"が塗りつぶされている装置に適用

18. OTHER OPTION

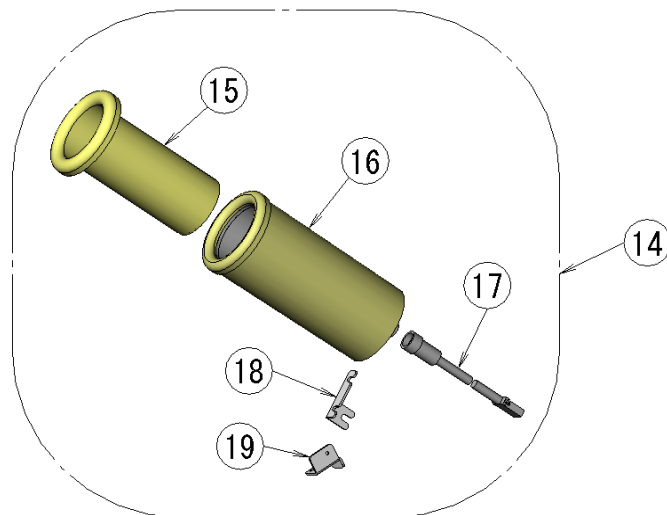
EZU-TH6



EZU-TY2



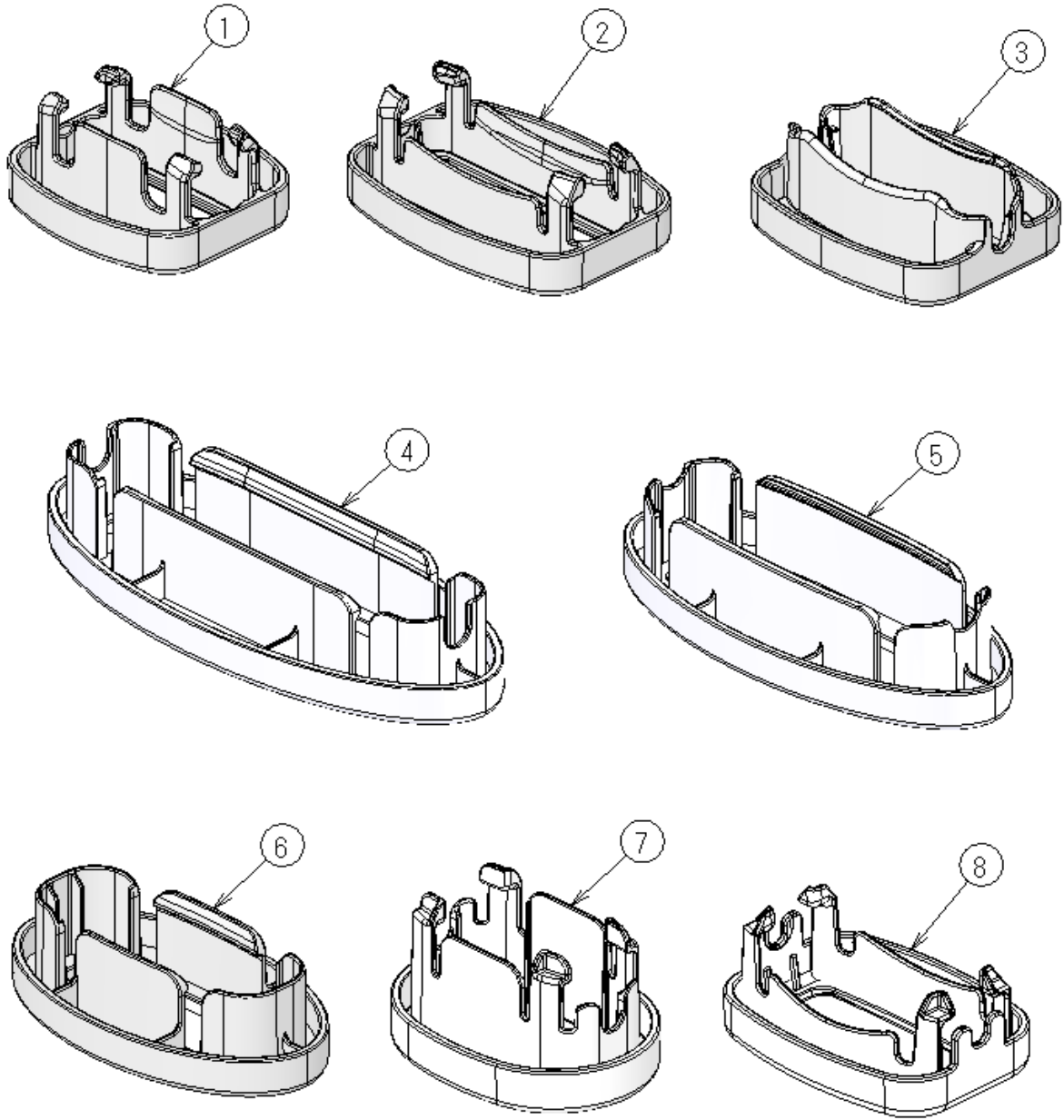
EZU-JW1



18. OTHER OPTION

KEY No.	PARTS No.	PART NAME		QTY	REMARKS
1	7344225A	HANGER BASE		1	EZU-TH6
2	1281048A	HANGER ARM		1	EZU-TH6
3	L931A097	KNOB SCREW		1	EZU-TH6
4	1486172A	PURSE LOCK		1	EZU-TH6
5	7346162A	SCREW CAP		2	
6					
7	7228783A	TRAY PLATE		1	EZU-TY2
8	7228784A	TRAY FOOT-L		1	EZU-TY2
9	7228785A	TRAY FOOT-R		1	EZU-TY2
10	S290A007	BELT/6500		2	EZU-TY2
11	G1560103	RUBBER FOOT		4	EZU-TY2
12	7433952A	SKID SHEET		4	EZU-TY2
△ ₁₃	7434068A	VELCRO SET		1	EZU-TY2
	UoG050	EZU-JW1		1	EZU-JW1
	7331443B	HOLDER TUBE		1	EZU-JW1
△ ₁₃	7441350A	JELLY WARMER		1	EZU-JW1
△ ₁₃	7433961A	JELLY WARMER CABLE B		1	EZU-JW1
△ ₁₃	7434242A	JELLY BRK		1	EZU-JW1
△ ₁₃	7434243A	JELLY BRK2		1	EZU-JW1

15 19. ELASTO COUPLER



15

19. ELASTO COUPLER

KEY No.	PARTS No.	PART NAME		QTY	REMARKS
1	7225446A	COUPLER L73S		1	EUP-L73S
2	7226530A	COUPLER L74M		1	EUP-L74M
3	7230413A	L75 COUPLER		1	EUP-L75
4	7220524A	COUPLER L53L		1	EUP-L53L
5	7220523A	COUPLER L53		1	EUP-L53
6	7220525A	COUPLER L54M		1	EUP-L54MA
7	7331474A	COUPLER L65		1	EUP-L65
8	7346456A	COUPLER MAPPIE		1	MAPPIE

E